

# PARTS LIST



## Y27 SERIES

MODEL "B"

Hydraulic Pumping Unit  
General Section

Capacity

10,000 P. S. I.

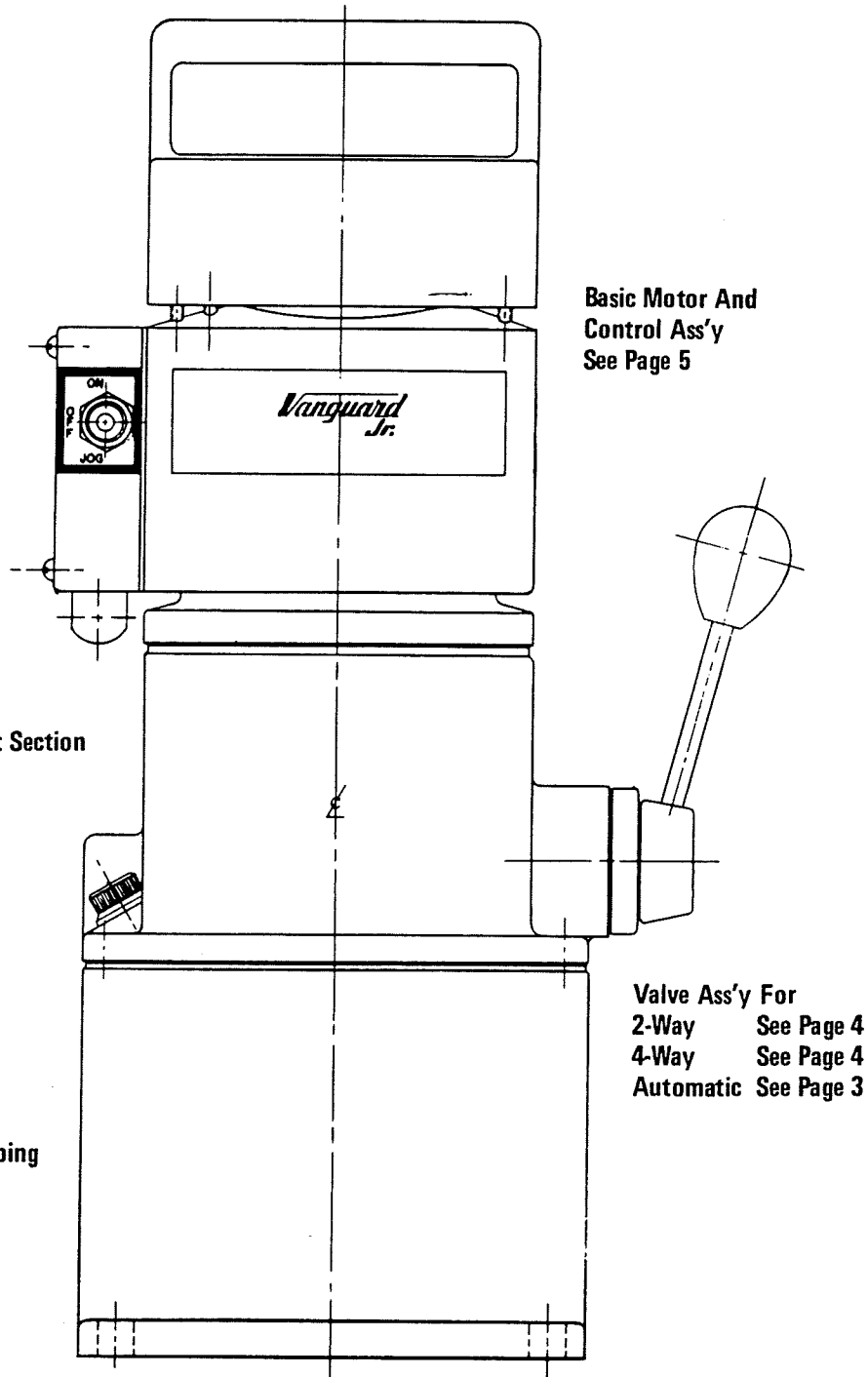
CAT. NO. Y 27 Series

SERIAL NO. AFFECTED  
16,000

SHEET 1 OF 5

ISSUE DATE  
Rev. 7-15-74

FORM NUMBER  
13711



Basic Motor And  
Control Ass'y  
See Page 5

Hydraulic  
Pumping Unit Section  
See Page 2

Valve Ass'y For  
2-Way See Page 4  
4-Way See Page 4  
Automatic See Page 3

High Pressure  
Hydraulic Pumping  
Unit Section  
See Page 3

SEE OTHER SIDE

# PARTS LIST



## Y27 SERIES

Model B

Hydraulic Pumping Unit  
Pumping Unit Section

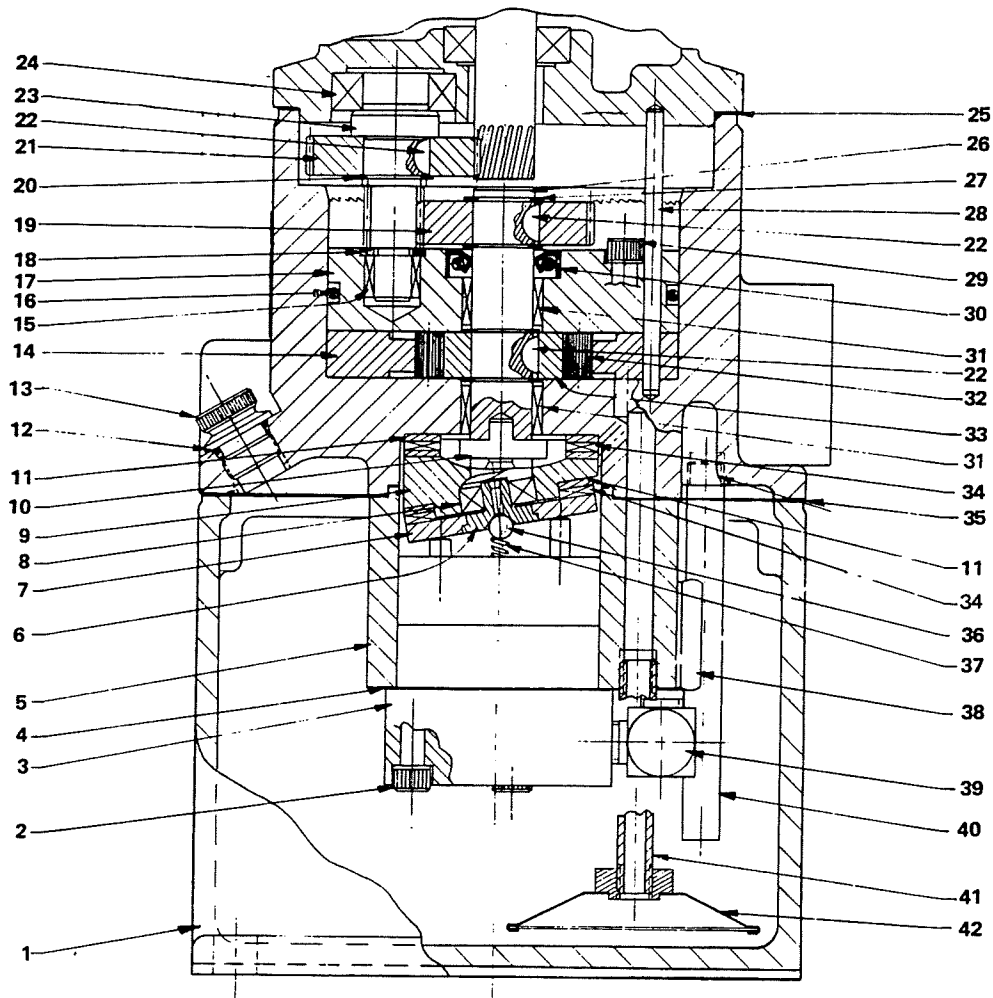
CAT. NO. Y 27 Series

SERIAL NO. AFFECTED  
16,000

SHEET 2 OF 5

ISSUE DATE  
Rev. 7-15-74

FORM NUMBER  
13711



SEE OTHER SIDE

**OWATONNA TOOL COMPANY**  
CABLE ADDRESS: TOOLCO

OWATONNA, MINNESOTA 55060 • U.S.A.  
PHONE: (507) 451-5310

# PARTS LIST

Item No.	Part No.	No. Req.	Description
1	40756-BL2	1	Reservoir
2	11956	4	Socket Head Cap Screw
3	32712	1	High Pressure Pump Body Assy.
4	27776	1	Gasket
5	33401	1	Spacer
6	23547	1	Top Plate Bearing
7	23548	1	Top Plate
8	11814	1	Ball Bearing
9	24667	1	Angle Plate
10	24571	1	Key
11	11813	3	Bearing Race
12	10300	1	"O" Ring
13	24132	1	Filler Cap
14	33464	1	Pump Ring
15	12191	1	Needle Bearing
16	10297	1	"O" Ring
17	33463	1	Pump End Plate
18	24744	1	Thrust Washer
19	24567	1	Spur Gear
20	12178	5	Retaining Ring
21	24536	1	Helical Gear
22	12179	3	Woodruff Key
23	32069	1	Pinion Shaft
24	13115	1	Ball Bearing
25	32714	1	Gasket
26	24666	1	Shaft
27	12178	5	Retaining Ring
28	24758	1	Locating Pin
29	10022	4	Socket Head Cap Screw
30	12194	1	Oil Seal
31	12192	2	Needle Bearing
32	12193	8	Roller
33	24632	1	Rotor
34	11228	2	Needle Thrust Bearing
35	32713	1	Gasket
36	10375	1	Steel Ball
37	10361	1	Compression Spring
38	21278	1	Relief Valve
39	24730	1	Elbow
40	27323	1	Tube-Return Line
41	27777	1	Suction Line
42	27680	1	Filter Assy.

### GUARANTEE

The Owatonna Tool Company guarantees its equipment products against defects in workmanship and material for 90 days from date of delivery to the user. Only exception is chain which follows the trade custom of its manufacturers and cannot be guaranteed.

When question of warranty arises, the user should send his unit to the nearest OTC authorized service station for inspection, transportation to be prepaid and evidence of delivery date furnished.

If the difficulty comes under the terms of our guarantee, we will repair or replace parts affected and return prepaid. If the difficulty does not come under the terms of our guarantee, you will be so notified along with an estimation of charges for repair and return.

This guarantee is limited to the repair or replacement of any part or parts which are found by us to be defective and does not cover ordinary wear and tear, abuse, misuse, overloading, altered products or use of improper fluid.

**OWATONNA TOOL COMPANY**  
CABLE ADDRESS: TOOLCO

**OWATONNA, MINNESOTA 55060 • U.S.A.**  
PHONE: (507) 451-5310

# PARTS LIST



## Y27 SERIES

Model B

**HIGH PRESSURE**

Hydraulic Pumping Unit Section

CAT. NO. Y 27 Series

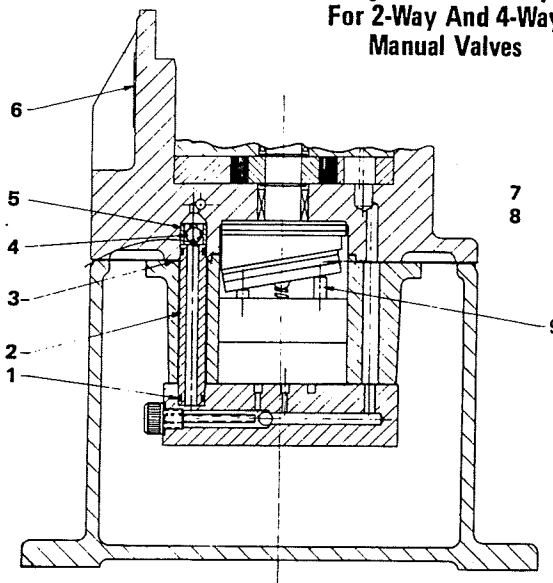
SERIAL NO. AFFECTED  
16,000

SHEET 3 OF 5

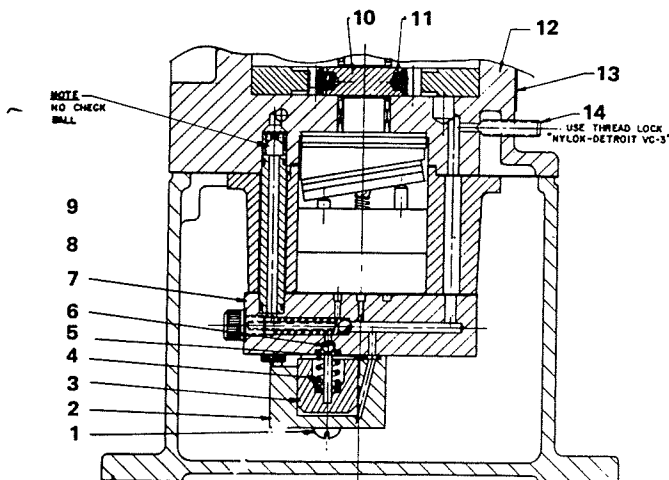
ISSUE DATE  
Rev. 7-15-74

FORM NUMBER  
13711

**High Pressure Pump  
For 2-Way And 4-Way  
Manual Valves**



**High Pressure Pump  
For Automatic Valve**



SEE OTHER SIDE

**OWATONNA TOOL COMPANY**  
CABLE ADDRESS: TOOLCO

OWATONNA, MINNESOTA 55060 • U.S.A.  
PHONE: (507) 451-5310

# PARTS LIST

## High Pressure Pump For 2-Way and 4-Way Manual Valves

Item No.	Part No.	No. Req.	Description
1	12522	2	"O" Ring
2	24572	1	Tube
3	27775	1	Gasket
4	10375	1	Ball
5	24641	1	Ball Stop
6	13684	1	Decal
7	41209	1	Pump Body - 4-Way Valve Only
8	41203	1	Pump Body - 2-Way Valve Only
9	20775	3	Pistons

## High Pressure Pump For Automatic Valve

Item No.	Part No.	No. Req.	Description
1	10614	3	Round Head Cap Screws
2	32077	1	Cylinder
3	24675	1	Piston And Valve Assy.
4	10362	1	Compression Spring
5	10264	1	"O" Ring
6	12223	1	Ball
7	32611	1	Pump Body Assy.
8	24572	1	Tube
9	12522	2	"O" Ring
10	28357	1	Spur Gear
11	14070	8	Spring
12	41212	1	Automatic Valve
13	200257	1	Body Decal
14	15305	1	Plug

### GUARANTEE

The Owatonna Tool Company guarantees its equipment products against defects in workmanship and material for 90 days from date of delivery to the user. Only exception is chain which follows the trade custom of its manufacturers and cannot be guaranteed.

When question of warranty arises, the user should send his unit to the nearest OTC authorized service station for inspection, transportation to be prepaid and evidence of delivery date furnished.

If the difficulty comes under the terms of our guarantee, we will repair or replace parts affected and return prepaid. If the difficulty does not come under the terms of our guarantee, you will be so notified along with an estimation of charges for repair and return.

This guarantee is limited to the repair or replacement of any part or parts which are found by us to be defective and does not cover ordinary wear and tear, abuse, misuse, overloading, altered products or use of improper fluid.

**OWATONNA TOOL COMPANY**

CABLE ADDRESS: TOOLCO

OWATONNA, MINNESOTA 55060 • U.S.A.

PHONE: (507) 451-5310

# PARTS LIST



## Y27 SERIES

Model B

Hydraulic Pumping Unit  
Valve Assy. Section

CAT. NO. Y 27 Series

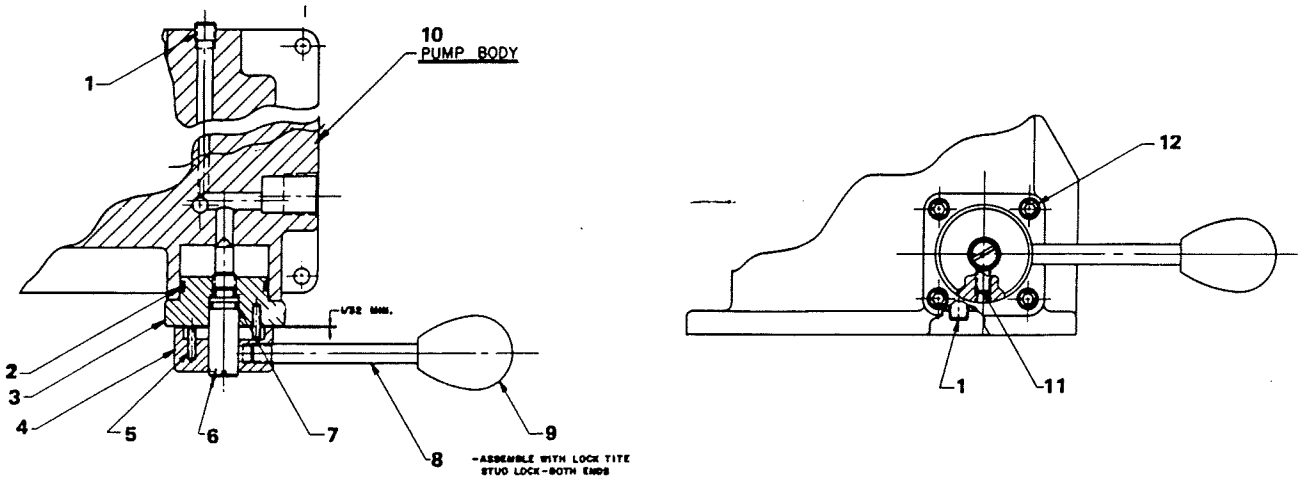
SERIAL NO. AFFECTED  
16,000

SHEET 4 OF 5

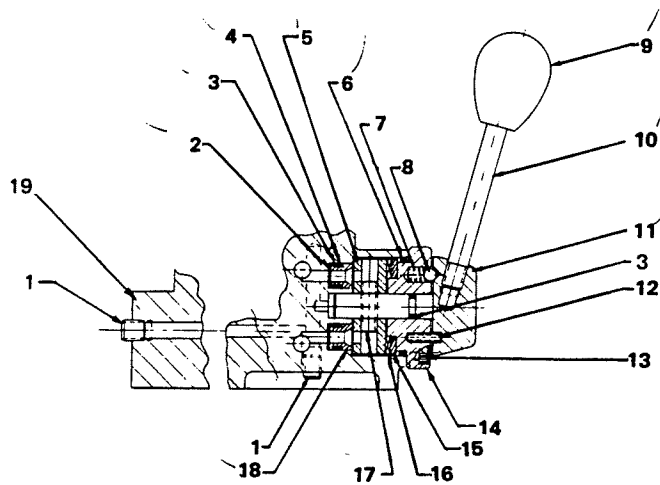
ISSUE DATE  
Rev. 7-15-74

FORM NUMBER  
13711

Two-Way Valve Assy.



Four-Way Valve Assy.



SEE OTHER SIDE

# PARTS LIST

## Two-Way Valve Assy.

Item No.	Part No.	No. Req.	Description
1	11084	2	Pipe Plug
2	10914	1	"O" Ring
3	27321	1	Cover
4	33137	1	Collar
5	11587	2	Roll Pin
6	26894	1	Valve Stem
7	10267	1	"O" Ring
8	24564	1	Stud
9	12821	1	Knob
10	41203	1	Pump Body 2-Way Valve only
11	10519	1	Socket Head Set Screw
12	11434	4	Socket Head Cap Screw

## Four-Way Valve Assy.

Item No.	Part No.	No. Req.	Description
1	11084	2	Pipe Plug
2	12187	3	Spring Washer
3	10266	4	"O" Ring
4	12184	3	Backup Washer
5	32071	1	Rotor
6	10930	1	"O" Ring
7	12195	1	Compression Spring
8	10375	3	Ball
9	12821	1	Knob
10	24564	1	Stud
11	32070	1	Stem
12	11587	1	Roll Pin
13	11434	4	Socket Head Cap Screw
14	25821	1	Cover
15	12189	1	Needle Thrust Bearing Race
16	12188	1	Needle Thrust Bearing
17	10716	1	Roll Pin
18	24570	3	Seal
19	41209	1	Pump Body 4-Way Only

### GUARANTEE

The Owatonna Tool Company guarantees its equipment products against defects in workmanship and material for 90 days from date of delivery to the user. Only exception is chain which follows the trade custom of its manufacturers and cannot be guaranteed.

When question of warranty arises, the user should send his unit to the nearest OTC authorized service station for inspection, transportation to be prepaid and evidence of delivery date furnished.

If the difficulty comes under the terms of our guarantee, we will repair or replace parts affected and return prepaid. If the difficulty does not come under the terms of our guarantee, you will be so notified along with an estimation of charges for repair and return.

This guarantee is limited to the repair or replacement of any part or parts which are found by us to be defective and does not cover ordinary wear and tear, abuse, misuse, overloading, altered products or use of improper fluid.

**OWATONNA TOOL COMPANY**

CABLE ADDRESS: TOOLCO

OWATONNA, MINNESOTA 55060 • U.S.A.

PHONE: (507) 451-5310

# PARTS LIST



## Y27 SERIES

Model B

**HYDRAULIC PUMPING UNIT**  
**MOTOR AND CONTROL ASSY. 115V / 230V ½ H.P.**  
**12,000 R.P.M. Single Phase**

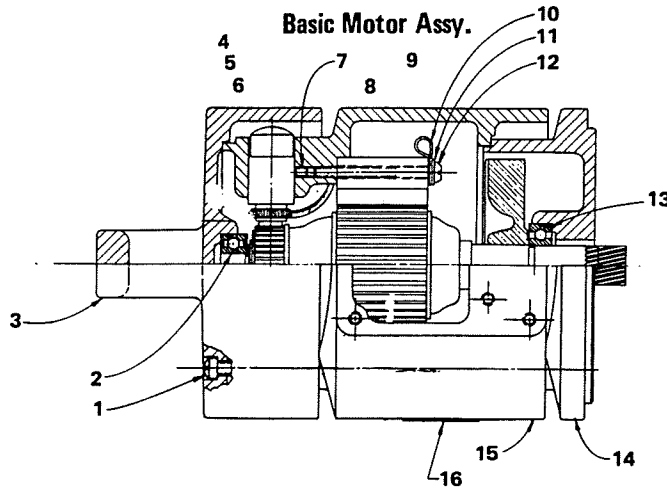
CAT. NO. Y 27 Series

SERIAL NO. AFFECTED  
**16,000**

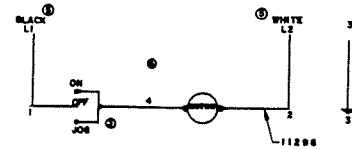
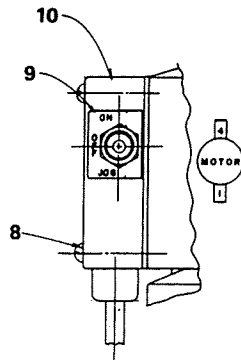
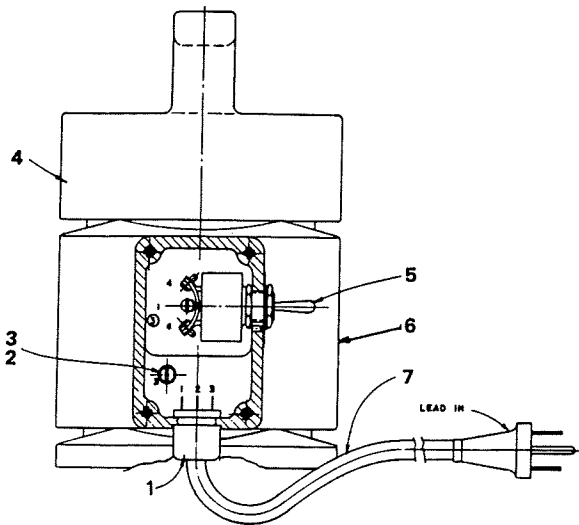
SHEET 5 OF 5

ISSUE DATE  
**Rev. 7-15-74**

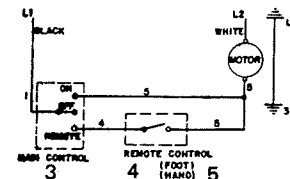
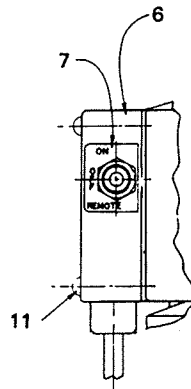
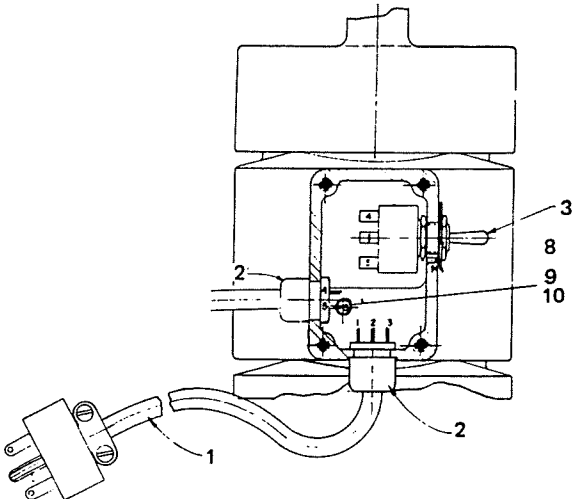
FORM NUMBER  
**13711**



**Control Assy. For ON/OFF Jog Switch**



**Control Assy. For Remote Control Switch**



SEE OTHER SIDE

**OWATONNA TOOL COMPANY**  
 CABLE ADDRESS: TOOLCO

**OWATONNA, MINNESOTA 55060 • U.S.A.**  
 PHONE: (507) 451-5310

# PARTS LIST

## Basic Motor Assy.

Item No.	Part No.	No. Req.	Description
1	12802	2	Machine Screw
2	12132	1	Ball Bearings
3	32395	1	Motor Shell Cover
4	12142	2	Brush Holders
5	12143	2	Brush Caps
6	12144	2	Brush Assy.
7	12131	2	Socket Head Set Screw
8	12138	1	Armature - 115 Volt
	12139	1	Armature - 230 Volt
9	12140	1	Field - 115 Volt
	12141	1	Field - 230 Volt
10	13111	1	Speed Clamp
11	12356	2	Lock Washer
12	12515	2	Machine Screw
13	12133	1	Ball Bearing
14	40753	1	Motor Base
15	40750	1	Motor Shell
16	12931	1	Decal

## Control Assy. For ON/OFF Jog Switch

Item No.	Part No.	No. Req.	Description
1	14700	1	Bushing
2	11361	1	Lock Washer
3	12062	1	Machine Screw
4	32692	1	Motor Cap
5	12175	1	Switch
6	12858	1	Decal
7	24733	1	Cord Set - 115 Volt
	25015	1	Cord Set - 230 Volt
8	13025	4	Machine Screw
9	25926	1	Plate
10	32393	1	Switch Box
11	11296	1	Pigtail Splice

## Control Assy. For Remote Control Switch

Item No.	Part No.	No. Req.	Description
1	24733	1	Cord Set - 115 Volt
	25015	1	Cord Set - 230 Volt
2	14700	2	Bushing
3	12665	1	Switch
4	25016	1	Remote Control - Foot
5	25017	1	Remote Control - Hand
6	32711	1	Switch Box
7	25802	1	Indicator Plate
8	12858	1	Decal
9	12062	1	Machine Screw
10	11361	1	Lock Washer
11	13025	4	Machine Screw

### GUARANTEE

The Owatonna Tool Company guarantees its equipment products against defects in workmanship and material for 90 days from date of delivery to the user. Only exception is chain which follows the trade custom of its manufacturers and cannot be guaranteed.

When question of warranty arises, the user should send his unit to the nearest OTC authorized service station for inspection, transportation to be prepaid and evidence of delivery date furnished.

If the difficulty comes under the terms of our guarantee, we will repair or replace parts affected and return prepaid. If the difficulty does not come under the terms of our guarantee, you will be so notified along with an estimation of charges for repair and return.

This guarantee is limited to the repair or replacement of any part or parts which are found by us to be defective and does not cover ordinary wear and tear, abuse, misuse, overloading, altered products or use of improper fluid.

**OWATONNA TOOL COMPANY**

CABLE ADDRESS: TOOLCO

OWATONNA, MINNESOTA 55060 • U.S.A.

PHONE: (507) 451-5310

# PARTS LIST

Item No.	Part No.	No. Req.	Description
1	13026	4	Machine Screw
2	12820	4	Cap Screw

## GUARANTEE

The Owatonna Tool Company guarantees its equipment products against defects in workmanship and material for 90 days from date of delivery to the user. Only exception is chain which follows the trade custom of its manufacturers and cannot be guaranteed.

When question of warranty arises, the user should send his unit to the nearest OTC authorized service station for inspection, transportation to be prepaid and evidence of delivery date furnished.

If the difficulty comes under the terms of our guarantee, we will repair or replace parts affected and return prepaid. If the difficulty does not come under the terms of our guarantee, you will be so notified along with an estimation of charges for repair and return.

This guarantee is limited to the repair or replacement of any part or parts which are found by us to be defective and does not cover ordinary wear and tear, abuse, misuse, overloading, altered products or use of improper fluid.

**OWATONNA TOOL COMPANY**  
CABLE ADDRESS: TOOLCO

**OWATONNA, MINNESOTA 55060 • U.S.A.**  
PHONE: (507) 451-5310