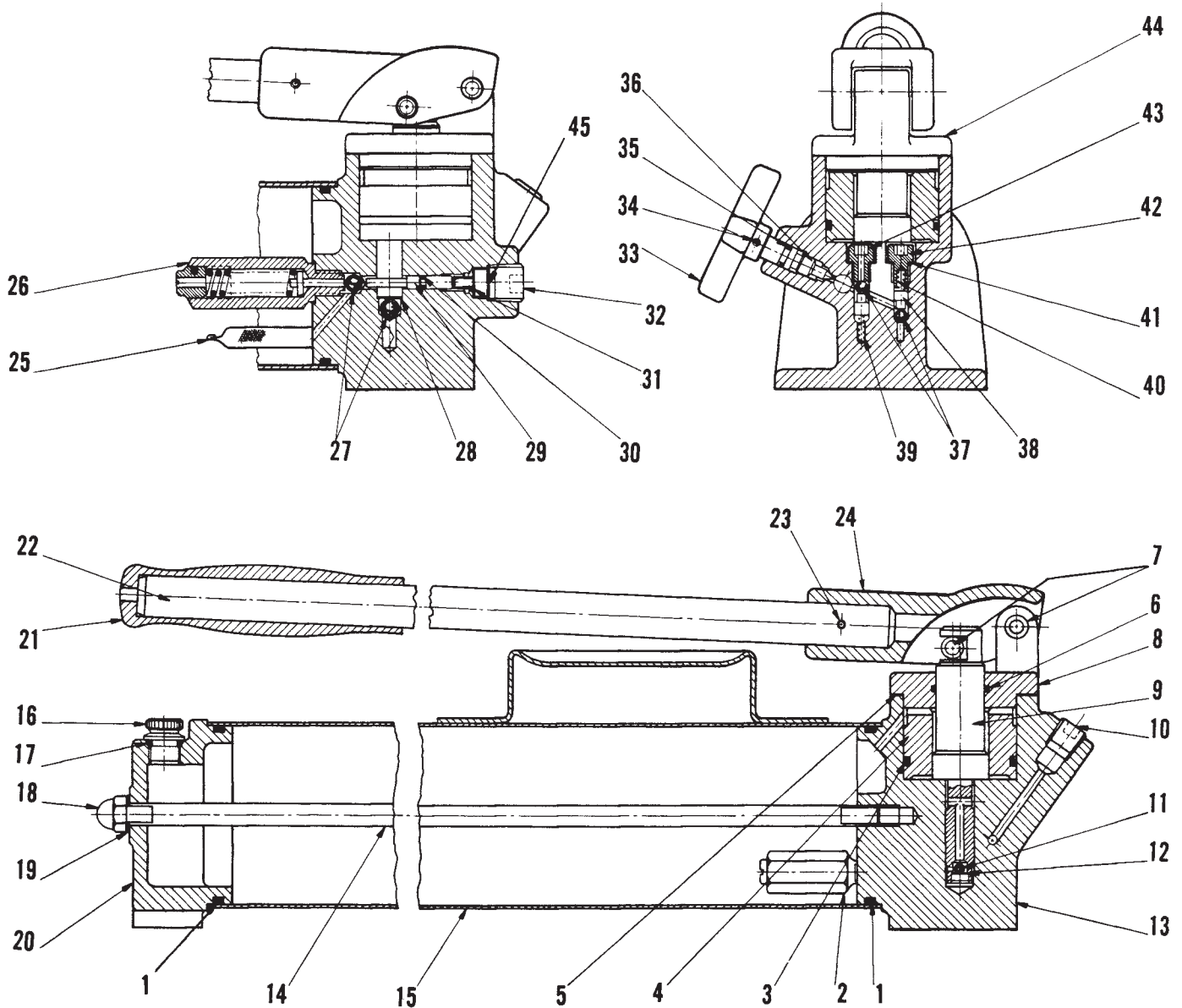


**TWO SPEED  
HYDRAULIC HAND PUMP  
FOR: 1809 & 1810 MOBILE FLOOR CRANE  
Max. Capacity: 8,000 PSI**



Sheet No.	1 of 1
Issue Date:	Rev. 1-22-79

# Parts List, Form No. 14403, Back sheet 1 of 1

Item No.	Part No.	No. Req'd	Description
1	*10872	2	O-ring (3-1/8 X 2-7/8 X 1/8, -233)
2	21278-80	1	Relief Valve
3	*10913	1	O-ring (2" X 1-13/16 X 3/32, -133)
4	32405	1	Sleeve
5	*24640	1	End Cap Gasket
6	*12900	1	O-ring (1" X 7/8 X 1/16, -020)
7	10415	2	Roll Pin (3/8 Dia. X 1-3/4 Lg.)
8	31868	1	Pump Body Cap
9	25522	1	Piston Ass'y
10	10479	1	Hex Female Drive Plug (1/4 NPTF)
11	*10375	1	Steel Ball (1/4 Dia.)
12	*12041	1	Retaining Ring (5/16 hole)
13	40583	1	Pump Body
14	24155	1	Tie Rod
15	31877	1	Reservoir Ass'y
16	24132	1	Filler Cap
17	*10300	1	O-ring (5/8 X 15/32 X 5/64, -906)
18	10842	1	Hex Cap Nut (3/8-16 UNC)
19	*12042	1	Copper Washer (9/16 X 3/8 X 1/32)
20	31863	1	End Cap
21	10904	1	Handle Grip
22	28828	1	Handle
23	11566	1	Roll Pin (1/8 Dia. X 1-1/4 Lg.)
24	31395	1	Handle Bracket
25	*24789	1	Filter
26	25526	1	Relief Valve Ass'y
27	*10377	2	Steel Ball (5/16 Dia.)
28	*11893	1	Retaining Ring (7/16 hole)
29	24149	1	Piston Unloading Valve

Item No.	Part No.	No. Req'd	Description
30	*10264	1	O-ring (1/4 X 1/8 X 1/16, -006)
31	27060	1	Retainer
32	10543	1	Hex Soc. Plug
33	23272	1	Knob
34	10895	1	Roll Pin (1/8 Dia. X 3/4 Lg.)
35	*10266	1	O-ring (3/8 X 1/4 X 1/16, -010)
36	24153	1	Stem
37	*10420	2	Steel Ball
38	24148	2	Ball Guide
39	*12040	1	Compression Spring (1/8 O.D. X 1/2 Lg.)
40	*10445	1	Compression Spring (5/32 O.D. X 3/4 Lg.)
41	*11031	2	Copper Washer (15/32 X 5/16 X 1/32)
42	21600	1	Cap Screw (5/16-18 NC X 3/8 Lg.)
43	*24150	4	Valve Seat
44	10006	4	Soc. Hd. Cap Screw (1/4-20 UNC X 5/8 Lg.)
45	11460	1	Retaining Ring (9/16 Housing Dia.)

**PARTS INCLUDED BUT NOT SHOWN**

36890	1	Hose Assembly
10474	1	90° Elbow
10029	4	Hex Hd. Cap Screw (5/16 -18 UNC X 3/4 Lg.)

Part numbers marked with an asterisk (\*) are in Repair Kit #25953.



Refer to any operating instructions included with this product for detailed information about operation, testing, disassembly, reassembly, and preventive maintenance.

Items found in this parts list have been carefully tested and selected. **Therefore: Use only genuine Power Team replacement parts!**

Additional questions can be directed to our Technical Services Department.