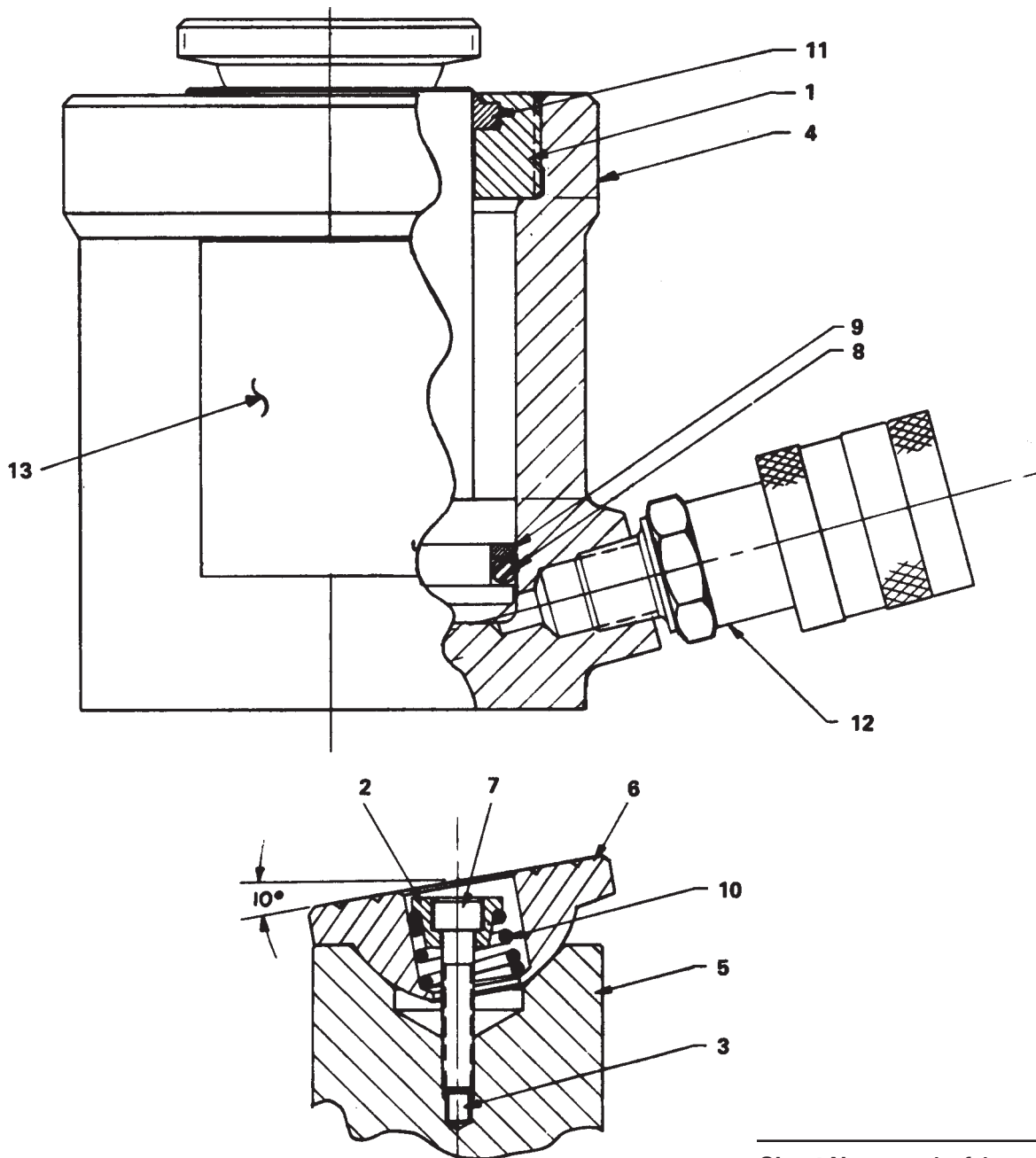


SINGLE-ACTING HYDRAULIC "SHORTY-RAMS"

Max. Capacity:

RS302 — 32.45 Tons at 10,000 PSI
RS552 — 55.22 Tons at 10,000 PSI
RS1002 — 103.15 Tons at 10,000 PSI



Sheet No.	1 of 1
Issue Date:	Rev. 1-20-95

No RS302

Item No.	Part No.	No. Req'd	Description
1	33933	1	Cylinder Nut
2	25195	1	Spring Retainer
3	25202	1	Stop Pin
4	33930OR9	1	Body
5	33932	1	Piston
6	32253	1	Swivel Cap
7	10020	1	Cap Screw
8	*11763	1	O-ring
9	*11788	1	Backup Washer
10	12341	1	Spring
11	*28850	1	Wiper
12	9796	1	Half Coupler
13	202124	1	Decal



No RS10002

Item No.	Part No.	No. Req'd	Description
1	41343	1	Cylinder Nut
2	25195	1	Spring Retainer
3	25202	1	Stop Pin
4	41346OR9	1	Body
5	41347	1	Piston
6	32263	1	Swivel Cap
7	12001	1	Cap Screw
8	*10291	1	O-ring
9	*10325	1	Backup Washer
10	12341	1	Spring
11	*28852	1	Wiper
12	9796	1	Half Coupler
13	202127	1	Decal



No RS552

Item No.	Part No.	No. Req'd	Description
1	33929	1	Cylinder Nut
2	25195	1	Spring Retainer
3	25202	1	Stop Pin
4	33926OR9	1	Body
5	33928	1	Piston
6	32246	1	Swivel Cap
7	10022	1	Cap Screw
8	*11768	1	O-ring
9	*11833	1	Backup Washer
10	12341	1	Spring
11	*28851	1	Wiper
12	9796	1	Half Coupler
13	202126	1	Decal



Refer to any operating instructions included with this product for detailed information about operation, testing, disassembly, reassembly, and preventive maintenance.

Items found in this parts list have been carefully tested and selected. **Therefore: Use only genuine Power Team replacement parts!**

Additional questions can be directed to our Technical Services Department.

Note: Shaded areas reflect last revision(s) made to this form.