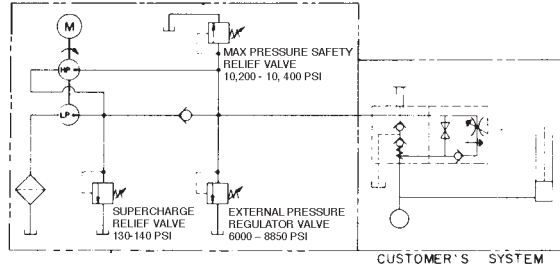


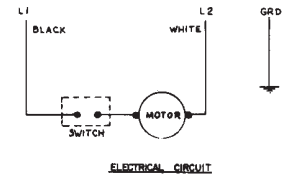
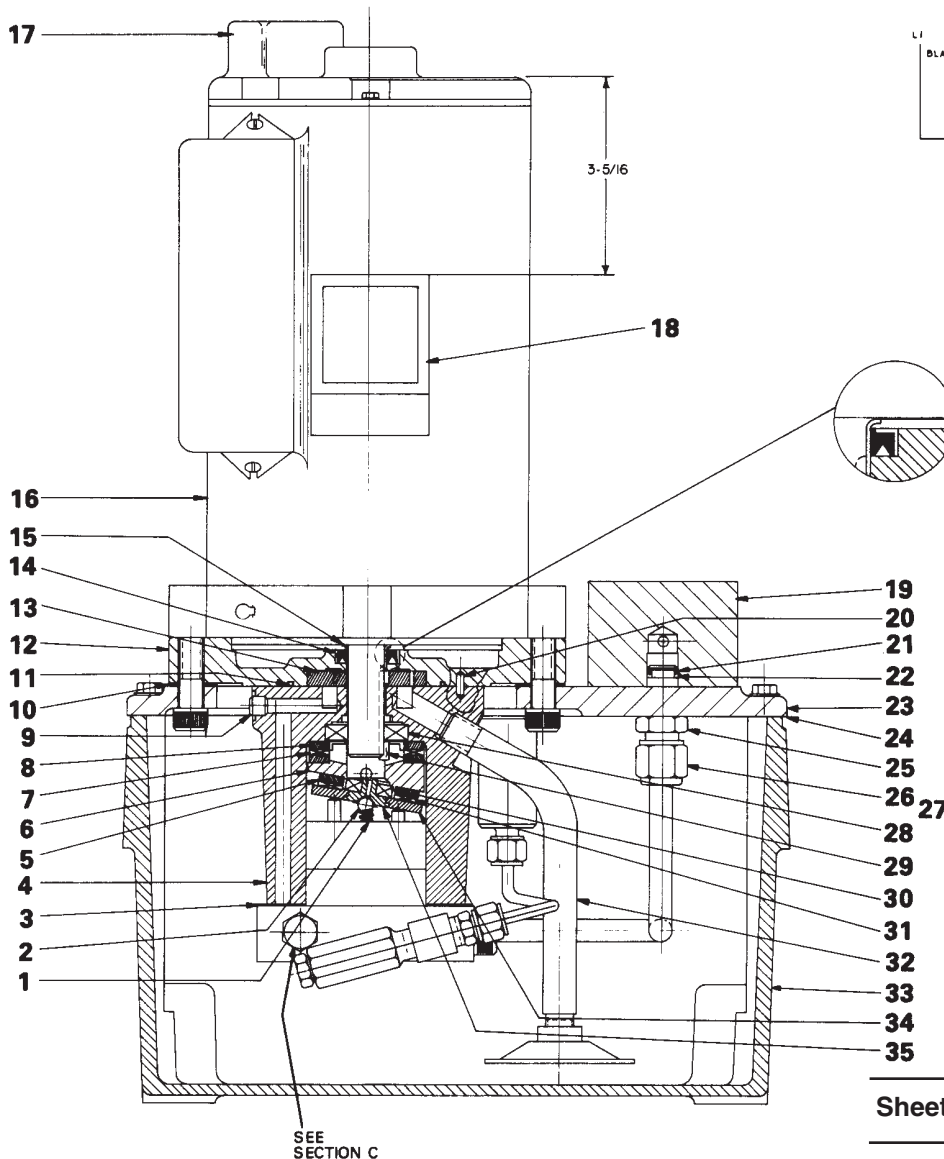
ELECTRIC TWO STAGE HYDRAULIC POWER UNIT

1725 RPM



To Parts List

HYDRAULIC CIRCUIT



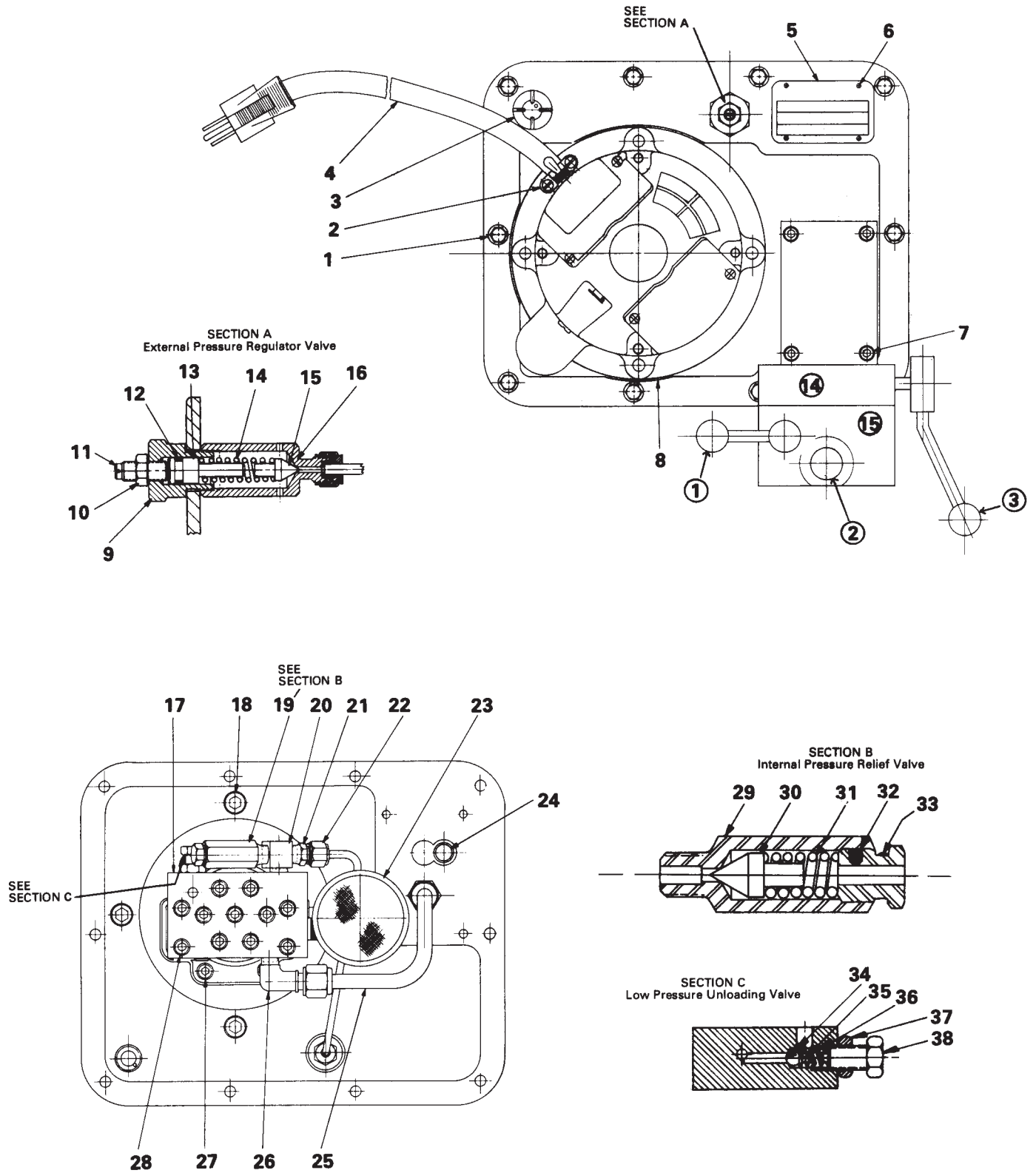
ELECTRICAL CIRCUIT

Parts List, Form No. 16945, Back sheet 1 of 2

Item No.	Part No.	No. Req'd	Description
1	10361	1	Spring (1/4 O.D. X .029 WS X 1" Long)
2	10375	1	Ball (1/4" dia.)
3	27776	1	Gasket
4	50752	1	Housing Pump
5	15432	1	Needle Thrust Bearing
6	35271	1	Angle Plate
7	11228	1	Needle Thrust Bearing
8	11227	2	Needle Thrust Race
9	11084	1	Pipe Plug (1/8 NPTF)
10	35541	1	Gasket Motor Base
11	15690	1	O-ring (2 5/8 O.D. X 2 1/2 I.D. X 1/6 SFC)
12	50751	1	Pump Housing
13	15693	1	Geroter Set
14	15694	1	Shaft Seal
15	15696	1	Wear Sleeve
16	15692	1	Motor Electric
17	15712	1	Switch
18	11281	1	Decal
19	50850	1	Manifold Block
20	10808	1	Dowel Pin (1/8 Dia. X 3/8 Long)
21	10268	2	O-ring (1/2 O.D. X 3/8 I.D.)
22	10311	1	Backup Washer (1/2 O.D. X 3/8 I.D.)
23	50851	1	Reservoir Cover
24	40164	1	Gasket
25	20787	1	Valve Connector
26	10430	1	Tube Sleeve (For 3/8 Tube)
27	10431	1	Tube Nut (5/8 - 18 UNF)
28	15695	1	Radial Ball Bearing
29	200798	1	Key
30	11814	1	Ball Bearing
31	15431	1	Needle Thrust Bearing
32	200799	1	Intake Tube
33	50695-BL2	1	Reservoir
34	23548	1	Top Plate
35	23547	1	Top Plate Bearing



PUMP TOP & BOTTOM VIEWS



Parts List, Form No. 16945, Back sheet 2 of 2

Item No.	Part No.	No. Req'd	Description
1	16557	10	Hex Hd. Cap Scr. (1/4-20 NC 3/4 Lg. Thd. Cutting)
2	11203	1	Regal Romax Connector
3	20937	1	Filler Cap – Vent
4	35595	1	Motor Cord
5	202387	1	Name Plate
6	10575	4	Drive Screws
7	10854	4	Soc Hd. Cap Screw (1/4-20 X 1 3/4 Long)
8	16473	1	Decal Patent Pending
9	21305	1	Valve Cap
10	10386	1	Hex Jam Nut (3/8 – 24)
11	22362	1	Valve Adjusting Screw
12	10268	2	O-ring (1/2 O.D. X 3/8 I.D.)
13	21306	1	Spring Guide
14	10495	1	Spring (Compression)
15	21046	1	Valve Stem
16	22361	1	Body
17	36922	1	High Pressure Pump Assembly
18	12577	4	Screw Cap (3/8-16 UNC X 1 3/4 Long)
19	21278	1	Relief Valve (10,000 PSI)
20	24702	1	Tee
21	14844	1	Connector (3/8 NPTF to 3/16 Tube)
22	201549	1	Regulator Oil Line Assembly
23	29682	1	Strainer
24	200609	1	Return Tube
25	35602	1	Oil Line (High Pressure)
26	10475	1	Connector (1/8 NPTF)
27	10016	4	Screw Cap (1/4-20 UNC X 1" Long)
28	10020	4	Screw Cap (1/4-20 NC X 1 1/4 Long)
29	21286	1	Body
30	21046	1	Valve Stem
31	10428	1	Spring (Compression)
32	24463	1	Nylon Insert
33	24471	1	Adjusting Screw
34	10375	1	Steel Ball
35	200796	1	Adapter
36	11024	1	Spring
37	10386	1	Hex Nut
38	200797	1	Adjusting Screw

