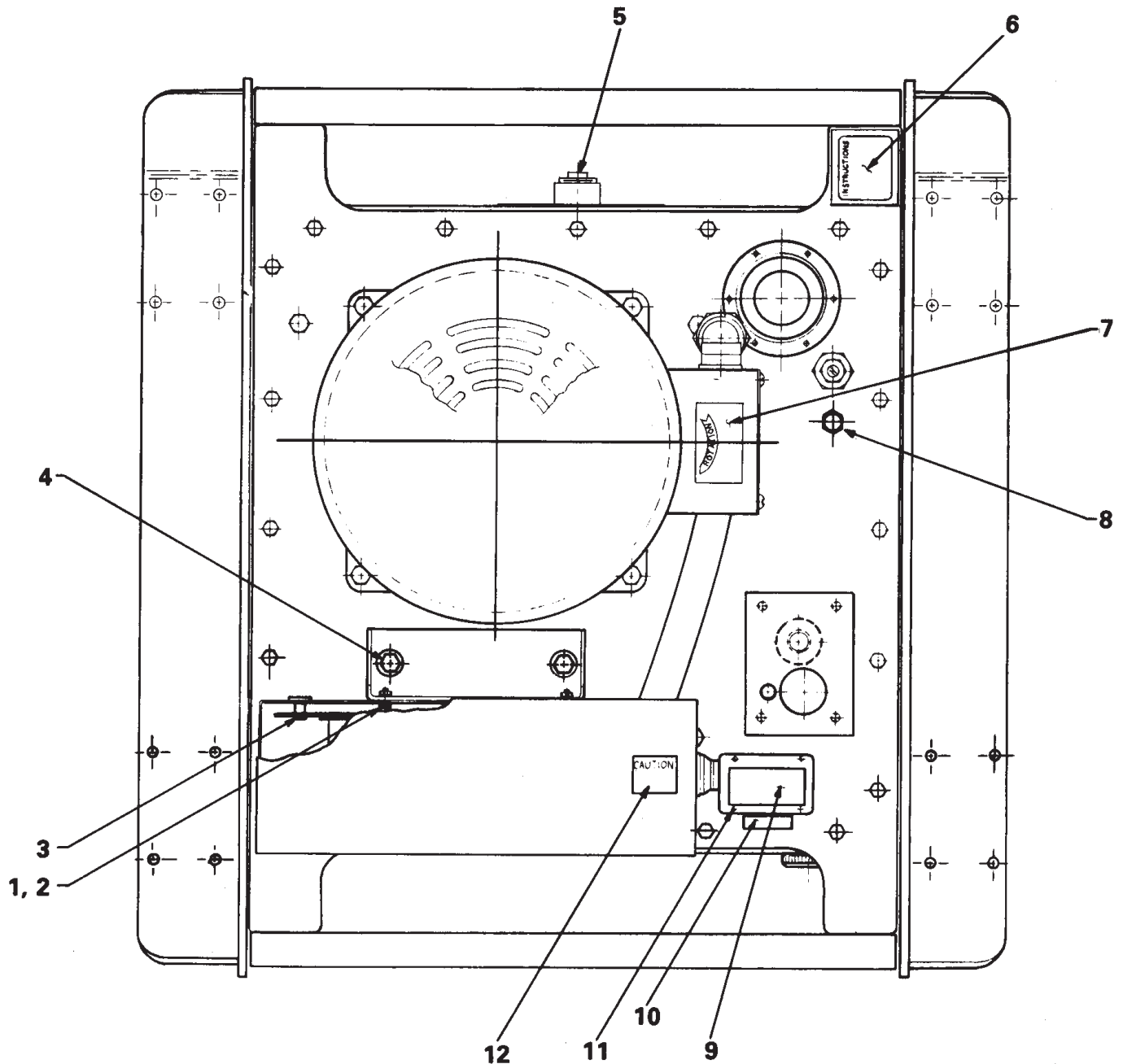


## 50/60 CYCLE HIGH PRESSURE POWER UNIT PE200 SERIES - TOP VIEW



# Parts List, Form No. 17604, Back sheet 1 of 9

Item No.	Part No.	No. Req'd	Description
1	12809	5	Nut, Locking (1/4-20)
2	10005	3	Cap Screw, Hex Hd. (1/4-20 x 1/2 lg.)
3	10004	4	Cap Screw, Hex Hd. (1/4-20 x 3/8 lg.)
4	15273	6	Cap Screw (5/16-18 x 1/2 lg.)
5	11049	1	Drain Plug (3/4" NPTF)
6	203755	1	Decal, Instruction
7	27556	1	Decal, Rotational
8	17124	1	Cap Screw, Hex Hd. (5/8-18 x 1" lg.)
9	202387	1	Nameplate
10	16473	1	Decal, Patents Pending
11	10575	4	Drive Screw (#2 x 3/16" lg. Type U)
12	203756	1	Decal, Caution

### PARTS INCLUDED BUT NOT SHOWN

17419	1	Elec. Insulation
37800	1	Decal, Elec. Schematic (60 Cycle)
38591	1	Decal, Elec. Schematic (50 Cycle)
17048	4	Caster, Swivel (4" Dia. x 1-1/4" Thick)
10027	16	Hex Hd. Cap Screw (5/16-18 x 5/8" lg.)
13116	16	Hex Nut (5/16-18)



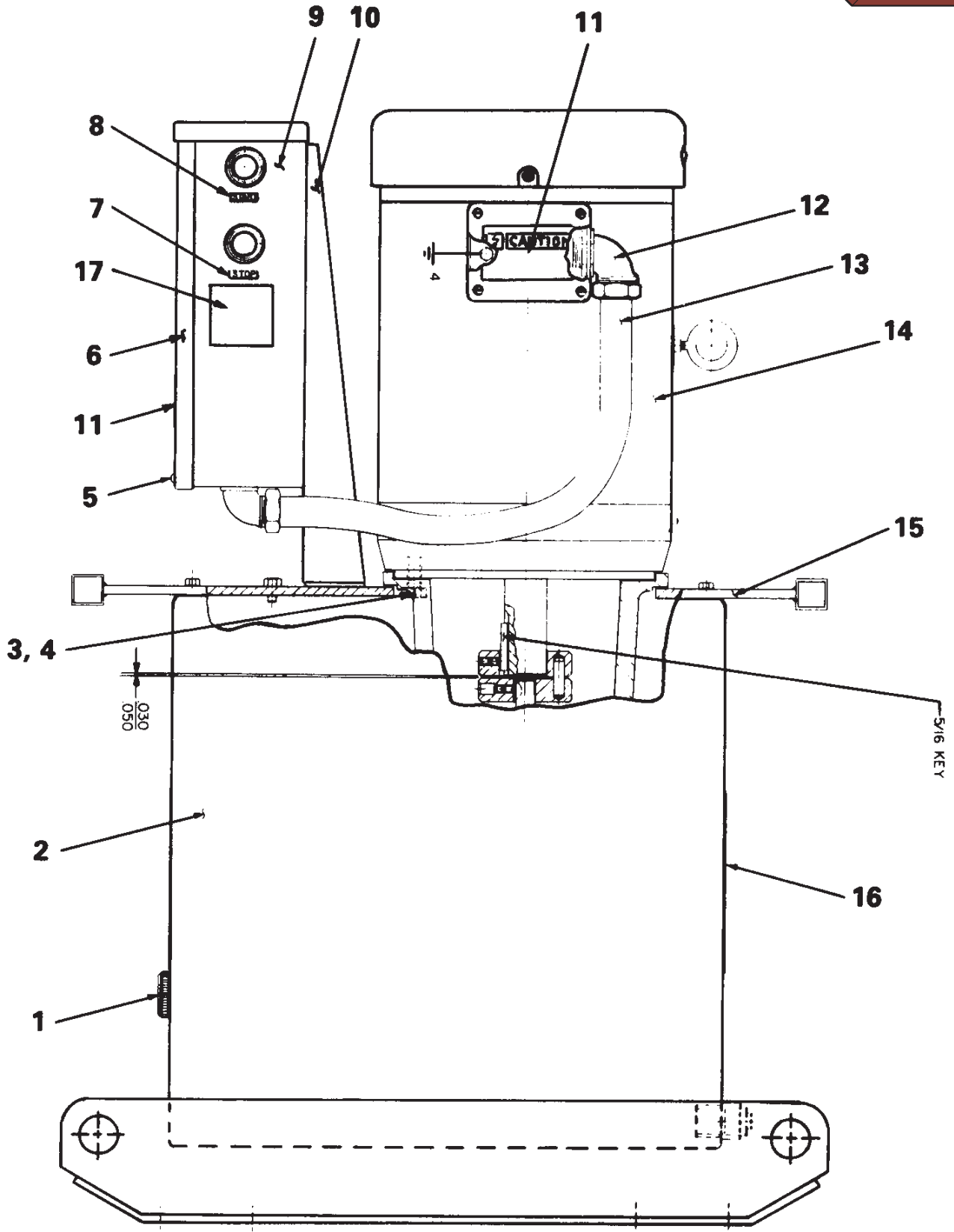
Refer to any operating instructions included with this product for detailed information about operation, testing, disassembly, reassembly, and preventive maintenance.

Items found in this parts list have been carefully tested and selected. **Therefore: Use only genuine Power Team replacement parts!**

Additional questions can be directed to our Technical Services Department.

To Parts List

PE200 SERIES - SIDE VIEW



## Parts List, Form No. 17604, Back sheet 2 of 9

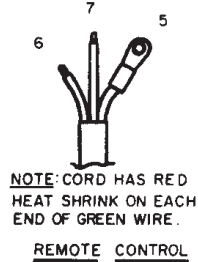
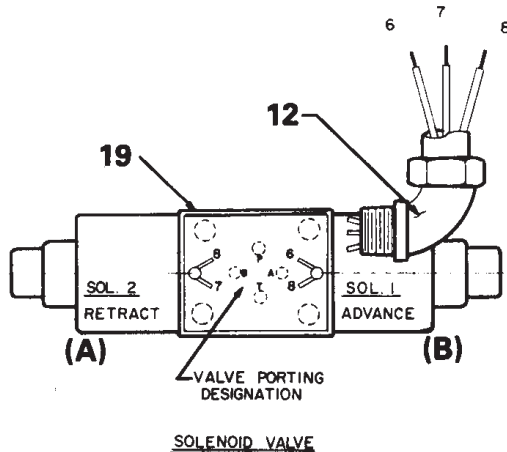
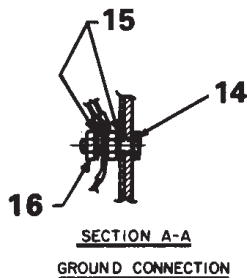
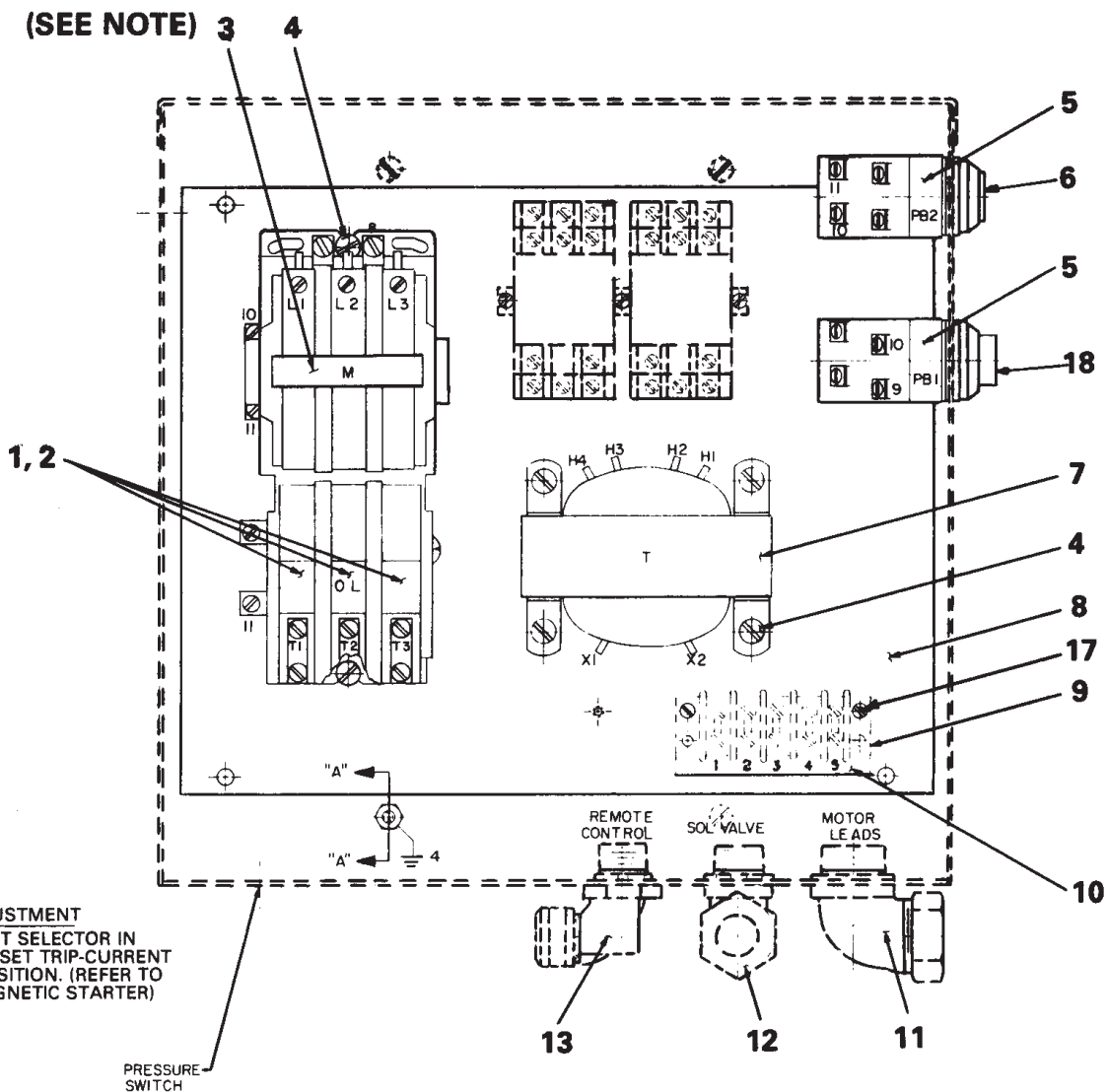
---

<b>Item No.</b>	<b>Part No.</b>	<b>No. Req'd</b>	<b>Description</b>
1	17586	1	Liquid Level Sight Gauge
2	60430-OR9	1	Reservoir Ass'y.
3	10249	8	Spring Lock Washer (1/2")
4	11623	4	Cap Screw, Hex. Hd. (1/2"-13 x 1-1/4" lg.)
5	13534	2	Self-Tapping Screw (#10-24 x 3/8" lg.)
6	51107-WH2	1	Elec. Box Cover
7	203769	1	Decal, Stop
8	203808	1	Decal, Start
9	60439-WH2	1	Elec. Box Body
10	51099-WH2	1	Mounting-Bracket (Elec. Box)
11	200188	2	Decal, Caution
12	13343	2	90° Elbow for 3/4" Sealtite Conduit
13	13340	1.3 ft.	Sealtite Conduit (3/4")
14	17314-WH2	1	Elec. Motor (7-1/2" h.p. with Key; 230/460 V.A.C., 60 HZ)
	19468-WH2	1	Elec. Motor (7-1/2" h.p. with Key; 220/380 V.A.C., 50 HZ)
15	60417	1	5 g.p.m. Basic Pump Ass'y.
16	37618	2	Decal, Trade Name
17	204015	1	Decal, Elec.





# PE200 SERIES - ELECTRICAL ASSEMBLY



<b>Item No.</b>	<b>Part No.</b>	<b>No. Req'd</b>	<b>Description</b>
1	<b>16641-62</b>	3	Starter Heater for 230 V.A.C. (60 HZ)
	<b>16641-66</b>	3	Starter Heater for 220 V.A.C. (50 HZ)
2	<b>16641-53</b>	3	Starter Heater for 460 V.A.C. (60 HZ)
	<b>16641-55</b>	3	Starter Heater for 380 V.A.C. (50 HZ)
3	<b>17861-4</b>	1	Magnetic Starter
4	<b>13063</b>	6	Pan Hd. Machine Screw, Slotted (10-24 x 1/4" lg.)
5	<b>15549</b>	2	Push Button Switch
6	<b>15549-4</b>	1	Start Button (Green)
7	<b>39693</b>	1	Transformer 230/460 V.A.C. (60 HZ)
	<b>39750</b>	1	Transformer 220/380 V.A.C. (50 HZ)
8	<b>51106-OR9</b>	1	Stand-Off Plate
9	<b>17841</b>	1	Terminal Block
10	<b>17842</b>	1	Imprinted Marker Strip
11	<b>13343</b>	2	90° Elbow for 3/4" Sealtite Conduit
12	<b>17840</b>	2	90° Elbow for 3/8" Conduit
13	<b>13529</b>	1	Cord Grip (Remote Control)
14	<b>10017</b>	1	Cap Screw, Hex Hd. (1/4-20 x 1" lg.)
15	<b>11351</b>	2	1/4 Shakeproof Lock Washer
16	<b>12809</b>	5	Nut, Locking (1/4-20)
17	<b>11426</b>	2	Rd. Hd. Mach. Screw, Slotted (6-32 x 1/2 Long)
18	<b>15549-2</b>	1	Stop Button (Red)
19	<b>16664-4</b>	1	4-Way Solenoid Valve (24 V. 50/60 Cycle)

**PARTS INCLUDED BUT NOT SHOWN**

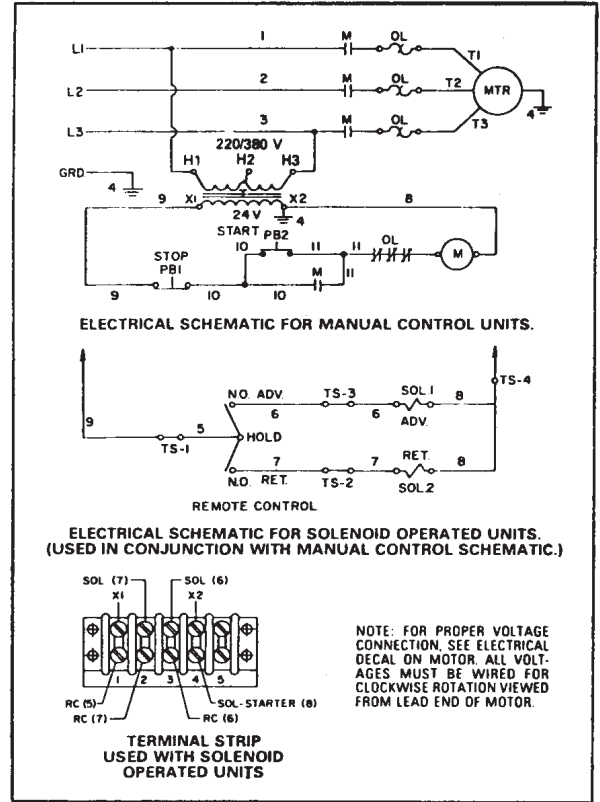
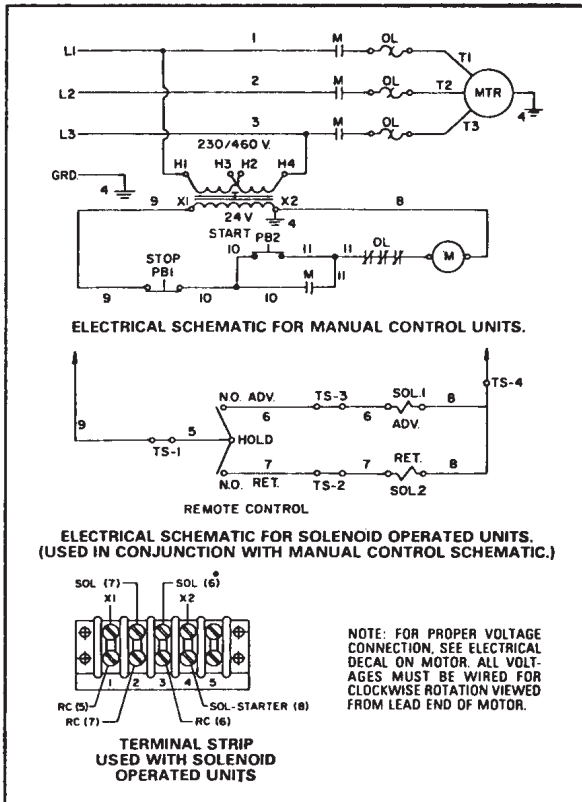
<b>V34</b>	1	4-Way Manual Valve
<b>V34S</b>	1	4-Way Solenoid Valve
<b>202778</b>	1	Remote Control Hand Switch Ass'y (For 4-Way Solenoid Valve; See Form no. 101644)



PE200 SERIES - ELECTRICAL SCHEMATIC

230/460 V.A.C., 60 CYCLE

220/380 V.A.C., 50 CYCLE



TRANSFORMER CONNECTIONS

TRANSFORMER CONNECTIONS

230 V.A.C., 60 Hz.

460 V.A.C., 60 Hz.

220 V.A.C., 50 Hz.

380 V.A.C., 50 Hz.

H1 and H3 to L1  
H2 and H4 to L3

H2 and H3  
H1 to L1  
H4 to L3

H1 to L1  
H2 to L3

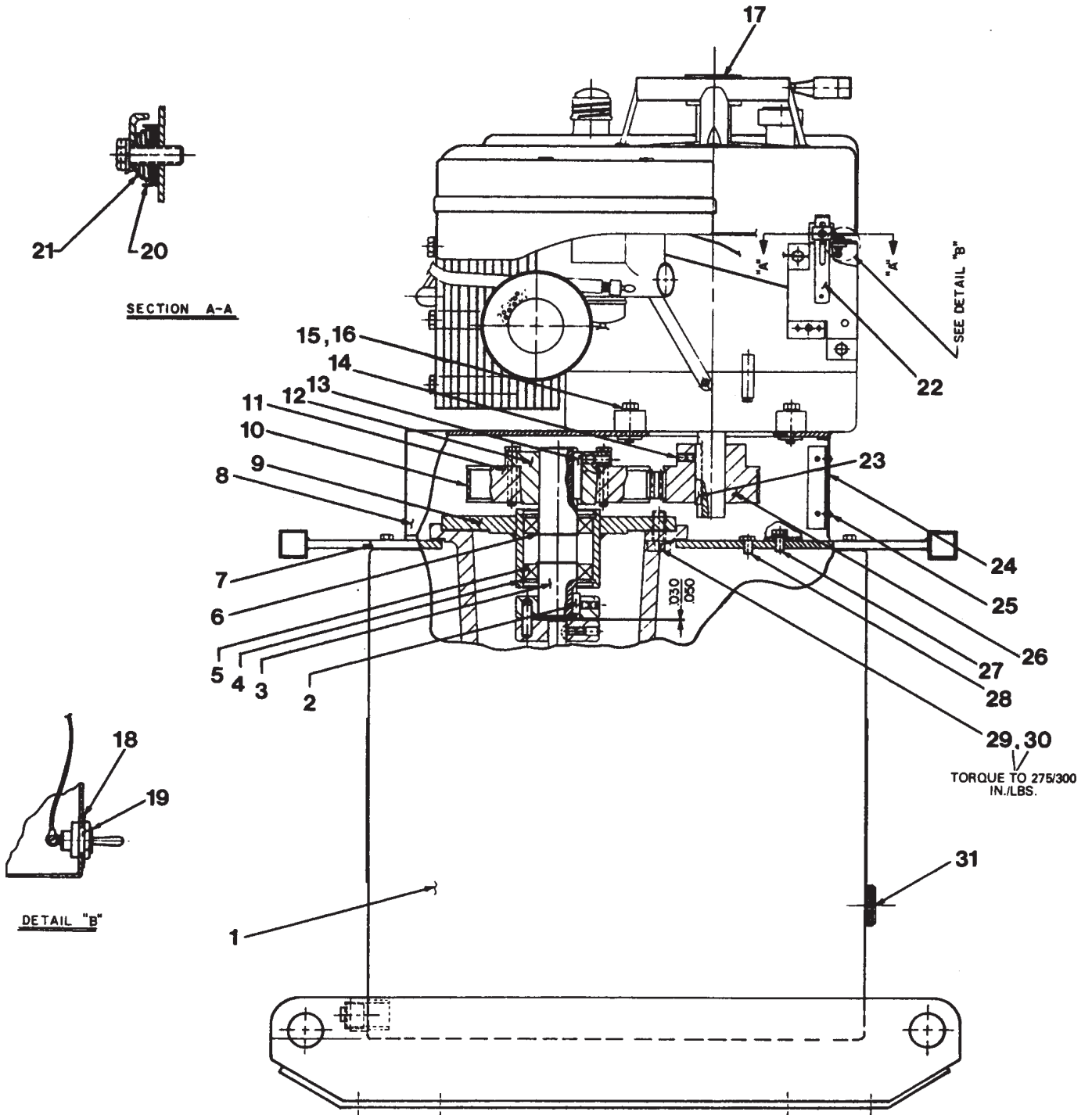
H1 to L1  
H3 to L3

NOTE: Unused lead to be capped with splice cap.

This page intentionally left blank.



# PG220 SERIES - SIDE VIEW 10 H.P. GAS ENGINE



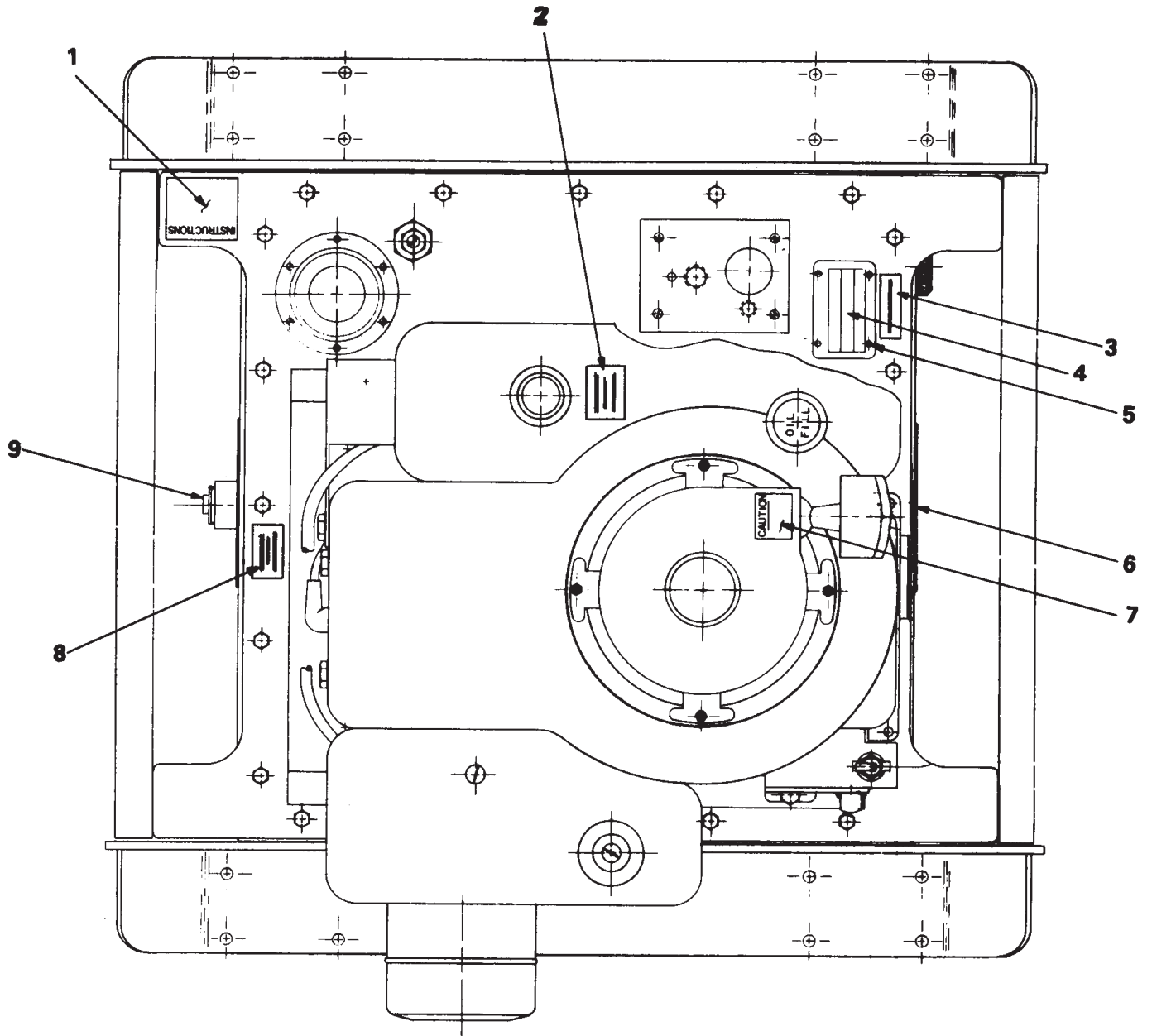
# Parts List, Form No. 17604, Back sheet 5 of 9

Item No.	Part No.	No. Req'd	Description
1	<b>60430-OR9</b>	1	Reservoir Ass'y.
2	<b>203731</b>	1	Key (5/16" x 11/16" lg.)
3	<b>37621</b>	1	Shaft
4	<b>14366</b>	2	Retaining Ring-Int. (2-1/2" Bore)
5	<b>17597</b>	2	Ball Bearing (1-3/8" x 2-1/2" x 9/16)
6	<b>11580</b>	2	Retaining Ring-Ext. (1-3/8" Shaft)
7	<b>60417</b>	1	5 g.p.m. Basic Pump Ass'y. (See sheet 8 of 9)
8	<b>60435-WH2</b>	1	Gas Engine Mount & Reduction Drive Housing
9	<b>42877</b>	1	Shaft Support
10	<b>17590</b>	1	Timing Belt (1" Wide)
11	<b>17592</b>	1	Drive Belt Pulley
12	<b>17593</b>	1	Drive Bushing
13	<b>203730</b>	1	Key (5/16" x 1-3/4" lg.)
14	<b>10141</b>	2	Socket Set Screw (5/16"-18 x 5/16" lg.)
15	<b>10559</b>	4	Hex. Hd. Cap Screw (5/16"-18 x 1-1/4" lg.)
16	<b>10246</b>	4	Lock Washer (5/16)
17	<b>17500</b>	1	Gasoline Engine (10 h.p.; Briggs)
18	<b>17793</b>	1	Indicator Plate "On-Off" (For Shorting Toggle Switch)
19	<b>17256</b>	1	Shorting Toggle Switch
20	<b>17594</b>	1	Spring Cap
21	<b>17595</b>	1	Friction Spring
22	<b>17596</b>	1	Slide Control
23	<b>203784</b>	1	Key (1/4" x 2-1/4" lg.)
24	<b>37616-WH2</b>	2	Screen Guard
25	<b>14456</b>	8	Th'd Cutting Screw (#10-24 x 3/8" Hex. Hd.)
26	<b>37620</b>	1	Pulley
27	<b>15273</b>	4	Hex. Hd. Cap Screw (5/16"-18 x 1/2" lg.; "Whiz-Lock")
28	<b>11573</b>	2	Hex. Hd. Cap Screw (5/16"-18 x 1/2" lg.)
29	<b>10249</b>	8	Spring Lock Washer (1/2")
30	<b>11623</b>	4	Cap Screw Hex. Hd. (1/2"-13 x 1-1/4" lg.)
31	<b>17586</b>	1	Sight Gauge





PG220 SERIES - TOP VIEW



# Parts List, Form No. 17604, Back sheet 6 of 9

---

<b>Item No.</b>	<b>Part No.</b>	<b>No. Req'd</b>	<b>Description</b>
1	203755	1	Decal (Oil Fill Level)
2	203865	1	Caution Decal (Gasoline)
3	16473	1	Decal (Patent Pending)
4	202387	1	Name Plate
5	10575	4	No. 2 x 3/8 lg., Type "U" Rd. Hd. Drive Screw
6	37617	2	Decal (Trade Name)
7	203756	1	Decal (Caution)
8	203866	1	Caution Decal (Shield)
9	11049	1	3/4 NPTF, Pipe Plug

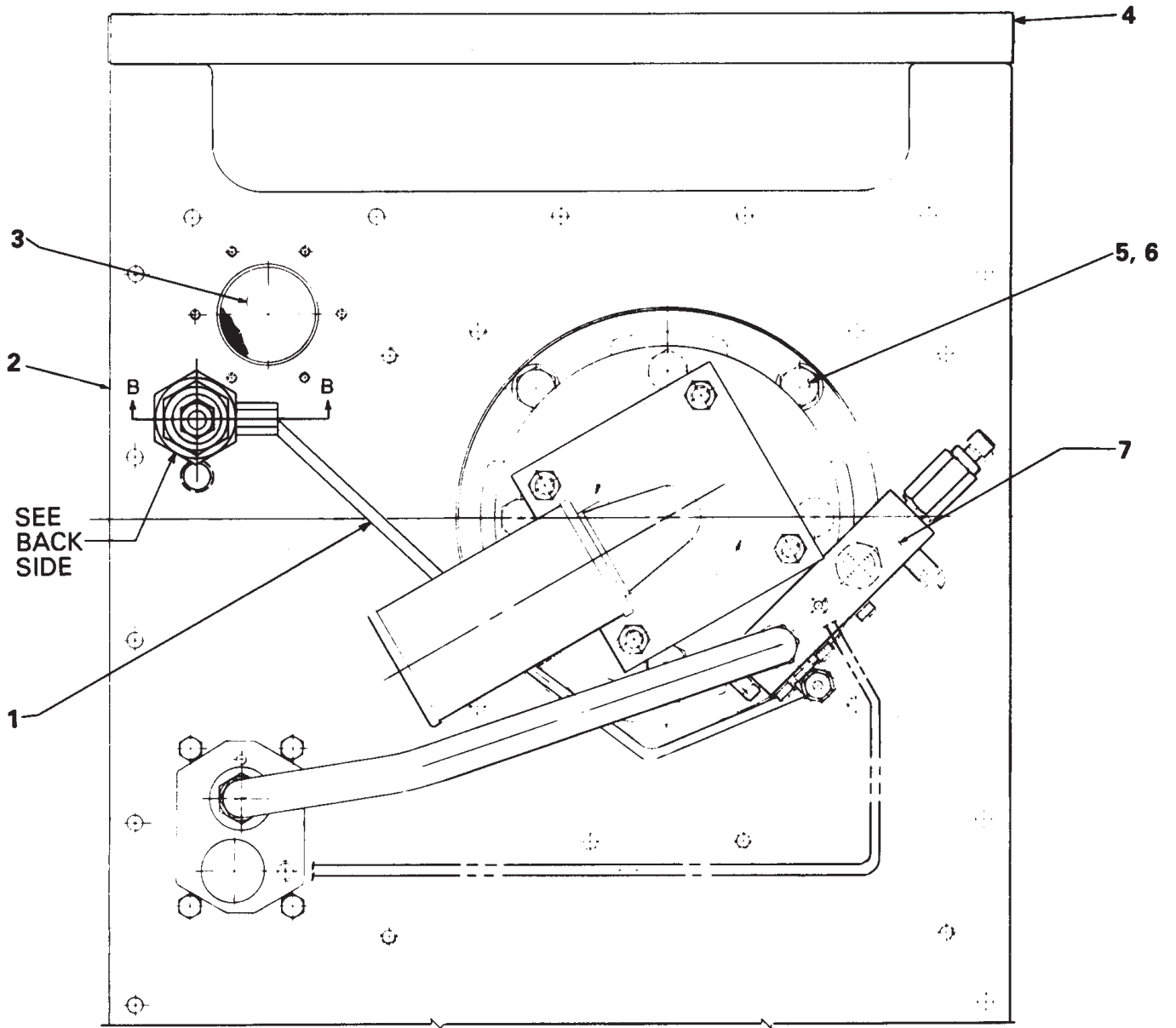
### **PARTS INCLUDED BUT NOT SHOWN**

V34 1 4-Way Manual Valve





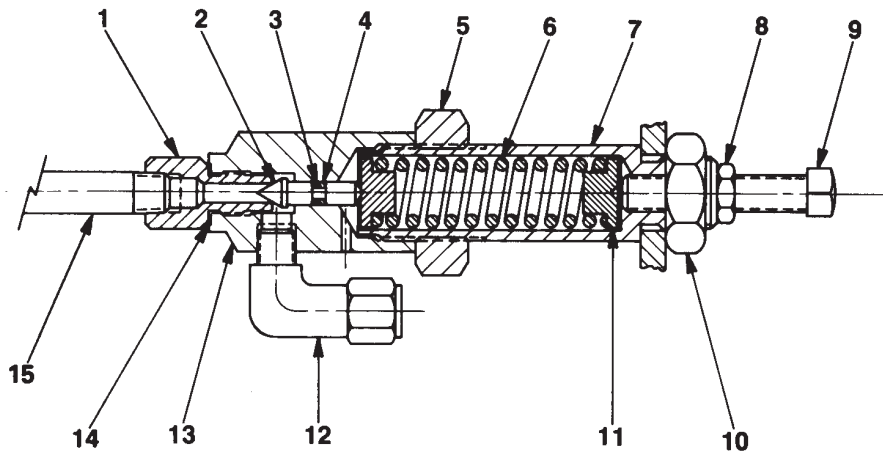
# BASIC PUMP ASSEMBLY - TOP VIEW



Item No.	Part No.	No. Req'd	Description
1	43647	1	Reg. Oil Line Ass'y.
2	51098-WH2	1	Cover Plate Weldment
3	13167	1	Filler-Breather Ass'y.
4	12126	4	Sq. Insert, Plastic Glide (7/8" x 18 Ga.)
5	11623	4	Cap Screw, Hex. Hd. (1/2"-13 x 1-1/4" lg.)
6	10249	8	Spring Lock Washer (1/2")
7	42795	1	Unloading Valve Ass'y. (See sheet 9 of 9)



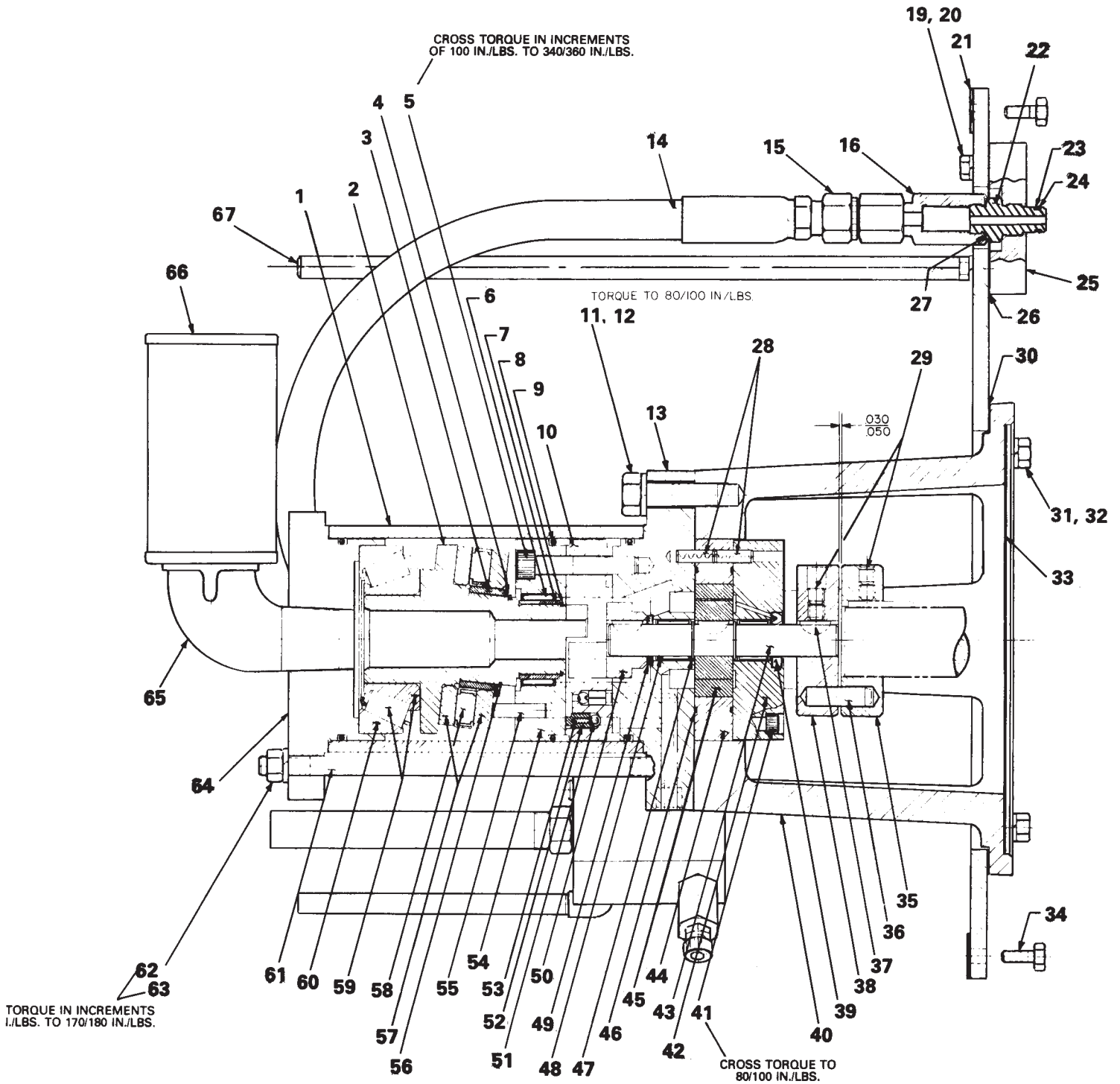
## PRESSURE REGULATOR ASSEMBLY SECTION B-B



Item No.	Part No.	No. Req'd	Description
1	200711	1	Seat
2	200712	1	Poppet
3	10264	1	"O" Ring (1/4 X 1/8 X 1/16 CS)
4	15084	1	Backup Washer
5	10400	1	Jam Nut (1"-14 NF)
6	15656	1	Compression Spring (3/4 O.D. x .135 WS)
7	200713	1	Tube Guide
8	10387	1	Jam Nut (3/8-16 NC)
9	11154	1	Sq. Hd. Set Screw (3/8-16 NC x 2" lg.)
10	10396	1	Jam Nut (3/4"-16 NF)
11	201955	2	Spring Plug
12	10475	1	1/8 NPTF to 3/8 Tubing
13	35505	1	Body
14	15655	1	Copper Washer
15	14463	1	Drain Tube



# BASIC PUMP ASSEMBLY - SIDE VIEW



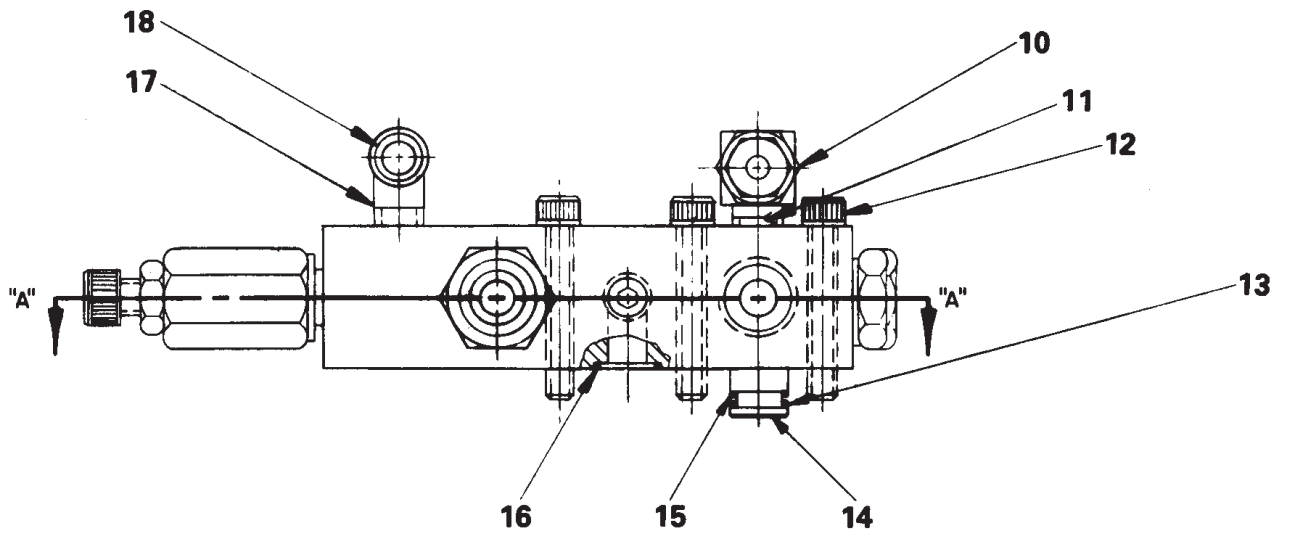
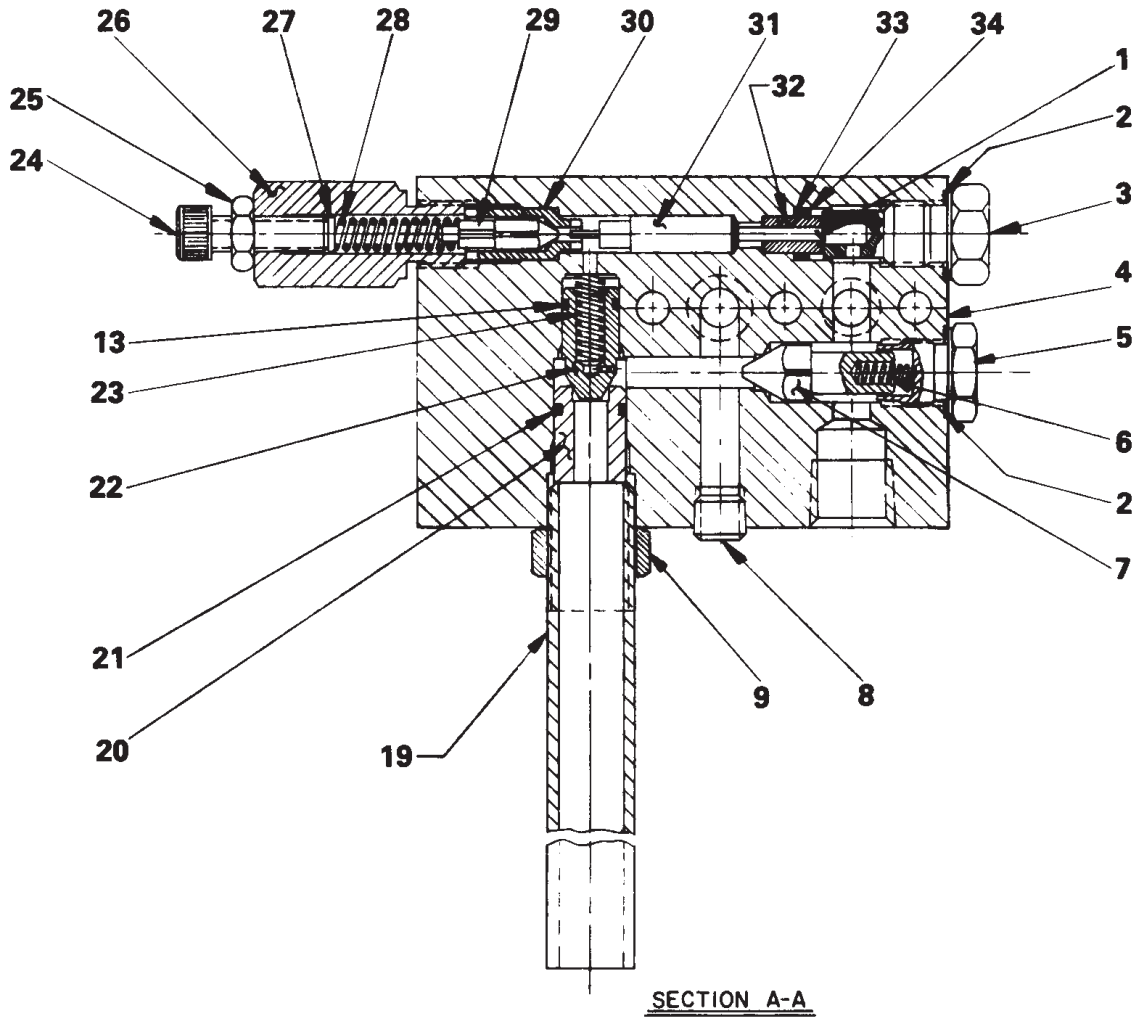
# Parts List, Form No. 17604, Back sheet 8 of 9

Item No.	Part No.	No. Req'd	Description	Item No.	Part No.	No. Req'd	Description
1	37384	1	Pump Housing	36	203485	2	Pin (Nylon)
2	51059	1	Angle Plate	37	204537	3	Woodruff Key (1/8" x 5/8")
3	203476	1	Bushing	38	37386	1	Coupling
4	17566	1	Special Washer, Steel (2.250 x 1.765 x .060 Thk.)	39	12194	1	Packing, Oil Seal (1-1/8" x 5/8")
5	11531	8	Soc. Hd. Cap Screw (3/8"-16 x 2" lg.)	40	51089	1	Mounting Bracket
6	17505	1	Bearing, Needle (40 x 47 x 16mm)	41	10854	6	Soc. Hd. Cap Screw (1/4"-20 x 1-3/4" lg.)
7	17504	1	Bearing, Race	42	51064	1	Front End Plate
8	17312	1	Retainer Ring (1-3/8" Shaft; Ext.)	43	37376	1	Pump Shaft
9	11931	3	"O" Ring (4 x 3 3/4" x 1/8" CS)	44	42782	1	Eccentric Ring
10	42732	1	Valve Head (8 Piston)	45	17313	1	Gerotor Set
11	10249	8	Spring Lock Washer (1/2")	46	17315	2	"O" Ring (2-7/8" x 2-3/4" x 1/16" C.S.)
12	10083	4	Cap Screw, Hex. Hd. (1/2"-13 x 1-1/2" lg.)	47	12178	2	Retainer Ring, Ext. (5/8" Shaft)
13	60415	1	Pump End Plate	48	15430	2	Needle Bearing (5/8" x 13/16" x 5/8" Wide)
14	37570	1	Hose Ass'y. (High Pressure)	49	17435	1	Thrust Washer (1" x 5/8" x 1/8")
15	17582	1	Swivel Fitting (3/8" NPT x 3/8" NPSM)	50	37378	1	Drive Coupling
16	21566	1	Valve Body – Pipe Thread	51	10374	16	Steel Ball (7/32")
19	10009	4	Cap Screw, Hex. Hd. (1/4"-20 x 3/4" lg.)	52	203477	16	Ball Guide
20	10245	4	Spring Lock Washer (1/4")	53	17319	17	Comp. Spring (1/8" O.D. x 1/2" lg. x .012 W.S.)
21	42779	1	Gasket (Res.)	54	42745	1	Pump Barrel (8-9/32" Piston)
22	201817	1	Valve Connector	55	203472	8	Piston (9/32)
23	10311	1	Backup Washer	56	14368	1	Retainer Ring (1-3/4" Shaft; Ext.)
24	10268	2	"O" Ring (1/2" x 3/8" x 1/16" C.S.)	57	17316	2	Bearing, Race
25	43110	1	Valve Mounting Block	58	17317	1	Bearing, Thrust
26	200395	1	Gasket	59	17311	1	Bearing, Cone
27	10261	1	Soft Copper Washer	60	17318	1	Bearing, Race (Cup)
28	17567	4	Spring Pin (1/4" x 3/4" lg.)	61	203542	4	Tie Rod
29	10141	4	Set Screw (5/16"-18 x 5/16" lg.; Knurled Cup Pt.)	62	10204	4	Steel Nut (3/8"-16)
30	42796	1	Gasket (Mounting Bracket)	63	10247	4	Spring Lock Washer (3/8")
31	10032	4	Cap Screw (Hex. Hd. 5/16"-18 x 1" lg.)	64	42737	1	End Cap
32	10246	4	Spring Lock Washer (5/16")	65	10706	1	Pipe Elbow (90°; 1" NPT Male x 1" NPT Female)
33	42757	1	Gasket (Elec. Motor)	66	17491	1	Filter
34	12825	20	Cap Screw, Hex. Hd. (1/4"-20 x 5/8 lg.)	67	204265	1	Drain Tube
35	37387	1	Coupling				





# UNLOADING VALVE ASSEMBLY



**UNLOADING VALVE ASSEMBLY 42795**

Item No.	Part No.	No. Req'd	Description
1	12149	1	Dowel Pin (1/8 Diameter x 3/4 Long)
2	10261	2	Copper Washer (19/32 x 3/4 x 1/32)
3	37430	1	Adaptor
4	60414	1	Valve Body
5	205394	1	Valve Plug
6	15141	1	Spring, Compression (.180 O.D. x 5/8 Long)
7	205393	1	Poppet
8	10427	1	Pipe Plug (1/8 NPTF)
9	10396	1	Jam Nut (3/4-16)
10	21278	1	Relief Valve Assembly (10,000 P.S.I.)
11	24702	1	Tee (1/8 NPT Male to Female)
12	10022	3	Soc. Hd. Cap Screw (1/4-20 x 1-1/2 Long)
13	10268	3	"O" Ring (1/2 x 3/8 1/16 C.S.)
14	21094	1	Bushing
15	10311	2	Backup Washer (5/8 x 1/2 x 1/16 C.S.)
16	12098	1	"O" Ring (9/16 x 7/16 x 1/16 C.S.)
17	13229	1	Elbow 90°, Street (1/8 Male to 1/8 Female; Steel)
18	14463	1	Drain Tube (5 1/2" Long)
19	203620	1	Drain Tube
20	203621	1	Bushing
21	10301	1	"O" Ring (5/8 x 1/2 x 1/16 C.S.)
22	37423	1	Poppet
23	11454	1	Spring, Compression (.240 O.D. x 1" Long)
24	11013	1	Soc. Hd. Cap Screw (5/16-18 x 1" Long)
25	10385	1	Jam Nut (5/16-18)
26	36545	1	Fitting (Unloading)
27	16528	1	Spacer
28	17413	1	Spring, Compression
29	203541	1	Poppet
30	37427	1	Guide
31	203540	1	Plunger Assembly
32	17414	1	Bushing (5/16 x 1/8 x 1/2 Long)
33	15085	1	Backup Washer (7/16 x 5/16 x .048; Teflon)
34	10267	1	"O" Ring (7/16 x 5/16 x 1/16 C.S.)



**RELIEF VALVE ASSEMBLY 21278**

Item No.	Part No.	No. Req'd	Description
1	21286	1	Valve Body
2	21046	1	Cone
3	10428	1	Spring
4	24463	1	Insert
5	24471	1	Adjusting Plug

