

BASIC HAND PUMP ASSEMBLY

Item No.	Part No.	No. Req'd	Description
1	10415	2	Roll Pin (.375 O.D. X 1-3/4 Lg.)
2	10479	1	Pipe Plug (1/4 NPT)
3	10375	2	Steel Ball (1/4 Dia.)
4	*12041	1	Retaining Ring (Self Locking 5/16 O.D.)
5	50276WH2	1	Pump Body (Machine; 4-Way Valve)
6	*10872	2	O-ring (3-1/8 O.D. X 2-7/8 I.D.)
7	21278	1	Relief Valve Ass'y.
8	31877OR9	1	Reservoir Ass'y.
9	24155	1	Tie Rod
10	*12042	1	Soft Copper Washer
11	10842	1	Cap Nut (3/8—16 NC)
12	11610	1	Handle Grip
13	*12204	1	Decal (Venting Instructions)
14	*204074	1	Decal (Trade Name)
15	31872WH2	1	Handle Ass'y
16	*24640	1	End Cap Gasket
17	*12900	1	O-ring (Disogrin; 1" X 7/8 X 1/16)
18	43062WH2	1	End Cap (Mach.)
19	10527	1	O-ring (.818 O.D. X .644 I.D.)
20	27142	1	Filler Plug

Part numbers marked with an asterisk (*) are included in Repair Kit #204077.

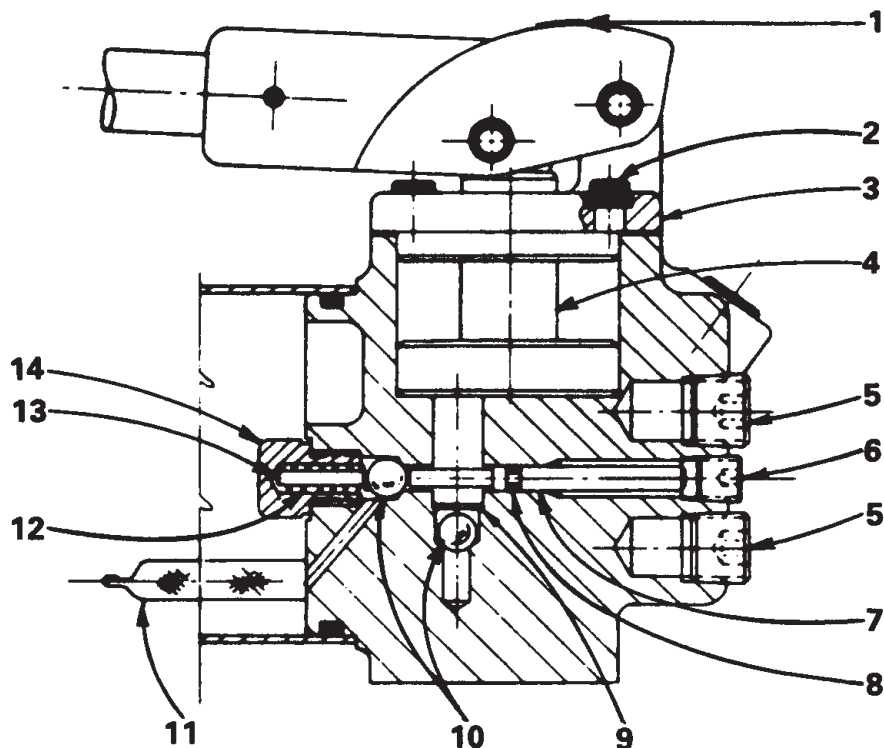


Refer to any operating instructions included with this product for detailed information about operation, testing, disassembly, reassembly, and preventive maintenance.

Items found in this parts list have been carefully tested and selected. **Therefore: Use only genuine Power Team replacement parts!**

Additional questions can be directed to our Technical Services Department.

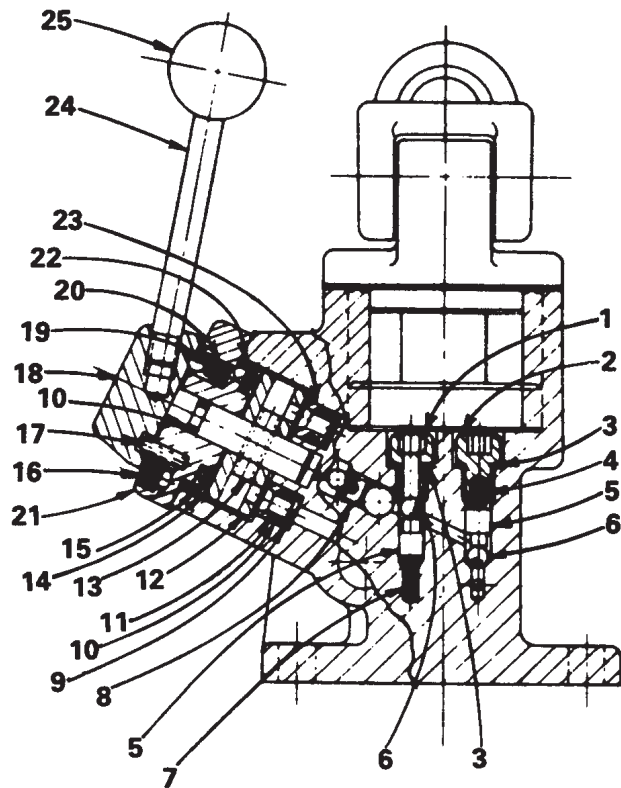
PUMP ASSY.



Item No.	Part No.	No. Req'd	Description
1	*204071	1	Decal (Oil Pins)
2	10006	4	Soc. Hd. Cap Screw (1/4-20 UNC X 5/8 Lg.)
3	31868WH2	1	Pump Body Cap (Machine)
4	24146	1	Piston Ass'y.
5	11127	2	Pipe Plug (3/8 NPT)
6	10427	1	Pipe Plug (1/8 NPT)
7	25030	1	Unloading Valve Piston
8	*17797	1	O-ring (Disogrin; 1/4 X 1/8 X 1/16)
9	*11893	1	Retaining Ring (For 7/16 Hole)
10	*10377	2	Steel Ball (5/16 Dia.)
11	*24789	1	Filter
12	11221	1	Compression Spring
13	*24787	1	Pin
14	24152	1	Spring Retainer Cap Screw

Part numbers marked with an asterisk (*) are included in Repair Kit #204077

4 WAY VALVE ASSY.



Item No.	Part No.	No. Req'd	Description
1	*24150	1	Valve Seat
2	21600	1	Cap Screw
3	*11031	2	Soft Copper Washer
4	*10445	1	Compression Spring
5	24148	2	Ball Guide
6	*12223	2	Ball Steel (3/16 Dia.)
7	*12040	1	Compression Spring
8	11084	1	Pipe Plug (1/16 NPT)
9	*12187	3	Spring Washer
10	*10266	4	O-ring (3/8 O.D. X 1/4 I.D.)
11	*12184	3	Backup Washer (3/8 O.D. X 1/4 I.D.)
12	32071	1	Rotor
13	*10716	1	Roll Pin, (1/4 Dia. 3/4 Lg.)
14	12188	1	Needle Thrust Bearing
15	12189	1	Needle Thrust Bearing Race
16	11434	4	Soc. Hd. Cap Screw (10-24 NC X 1/2 Lg.)
17	11587	1	Roll Pin (1/8 Dia. X 1/2 Lg.)
18	32070	1	Stem
19	*10375	2	Steel Ball (1/4 Dia.)
20	12195	1	Compression Spring (1/4 O.D. X .031 W.S. X 1/2 Lg.)
21	24566WH2	1	Valve Cover
22	*10930	1	O-ring (1-1/2 O.D. X 1-5/16 I.D.)
23	24570	3	Shear Seal
24	24564	1	Stud
25	12821	1	Knob

Part numbers marked with an asterisk (*) are included in Repair Kit #204077