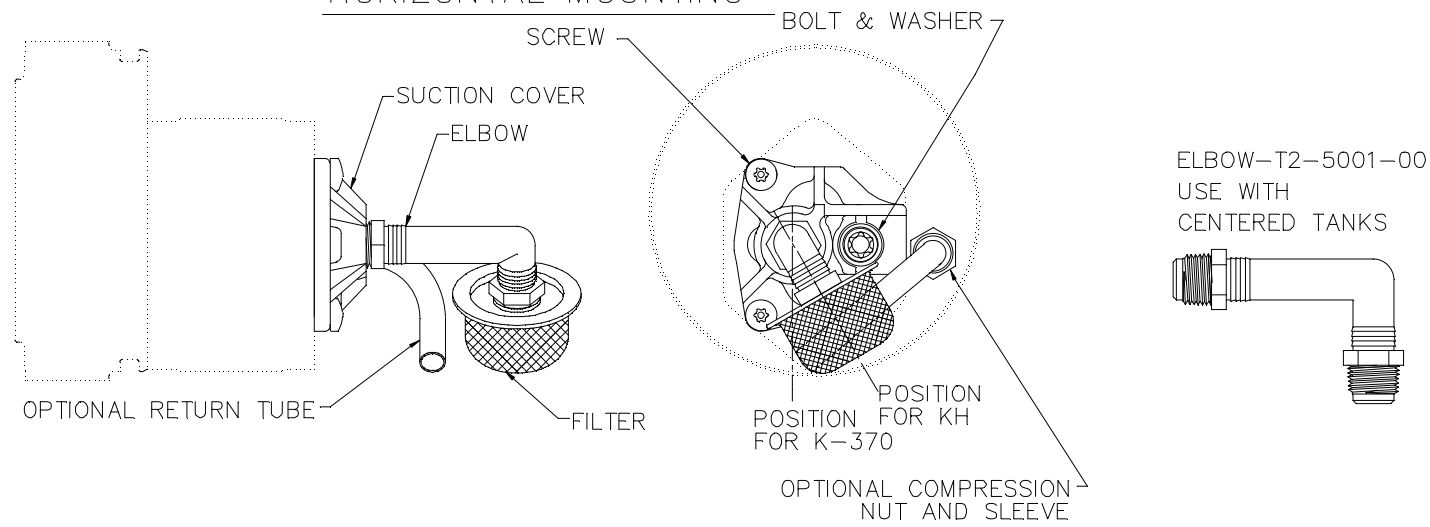
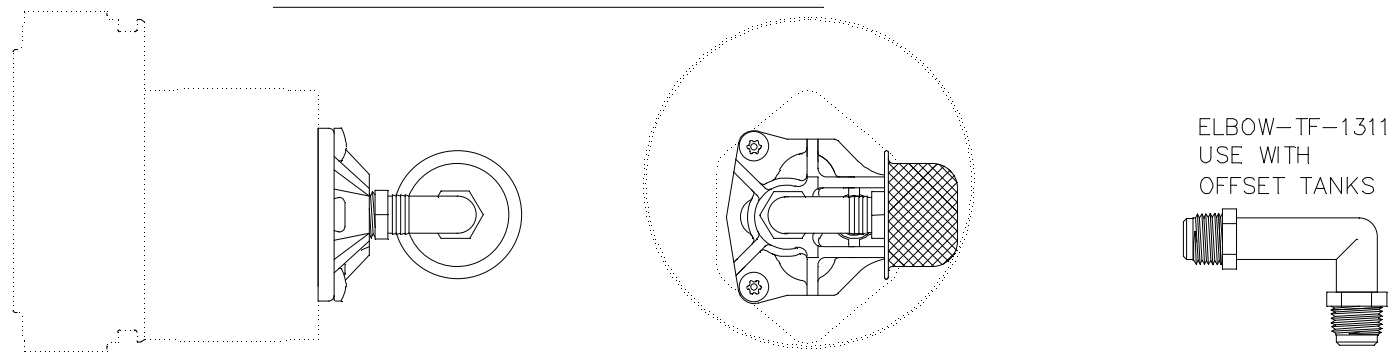


INSTALLATION INSTRUCTIONS FOR KH & K-370

HORIZONTAL MOUNTING



SIDE HORIZONTAL MOUNTING



BEFORE ASSEMBLY:

- CHECK THAT KIT CONTAINS THESE ITEMS:

QTY	DESCRIPTION	QTY	DESCRIPTION
1	FILTER	2	ELBOW
2	SCREW	1	BOLT
1	SUCTION COVER	1	WASHER

- VERIFY THAT PUMP IS INSTALLED.

ASSEMBLY INSTRUCTIONS:

- ATTACH SUCTION COVER WITH TWO SCREWS, TIGHTEN TO 4-6 FT LBS. INSTALL BOLT AND WASHER, TIGHTEN TO 5-7 FT LBS
- SCREW FILTER AND ELBOW TOGETHER AND INSTALL INTO SUCTION COVER IN SELECTED ORIENTATION(SEE ABOVE).
- FIT COMPRESSION NUT, THEN SLEEVE, OVER END OF RETURN TUBE AND ATTACH TO ENDHEAD. NOTE: NOT USEABLE IN THE "SIDE HORIZONTAL MOUNTING".

RECOMMENDED NEXT STEP:

- INSTALL RESERVOIR ONTO ENDHEAD.

CHECK	DATE	DWG NO.
		3123-AA

REV
3