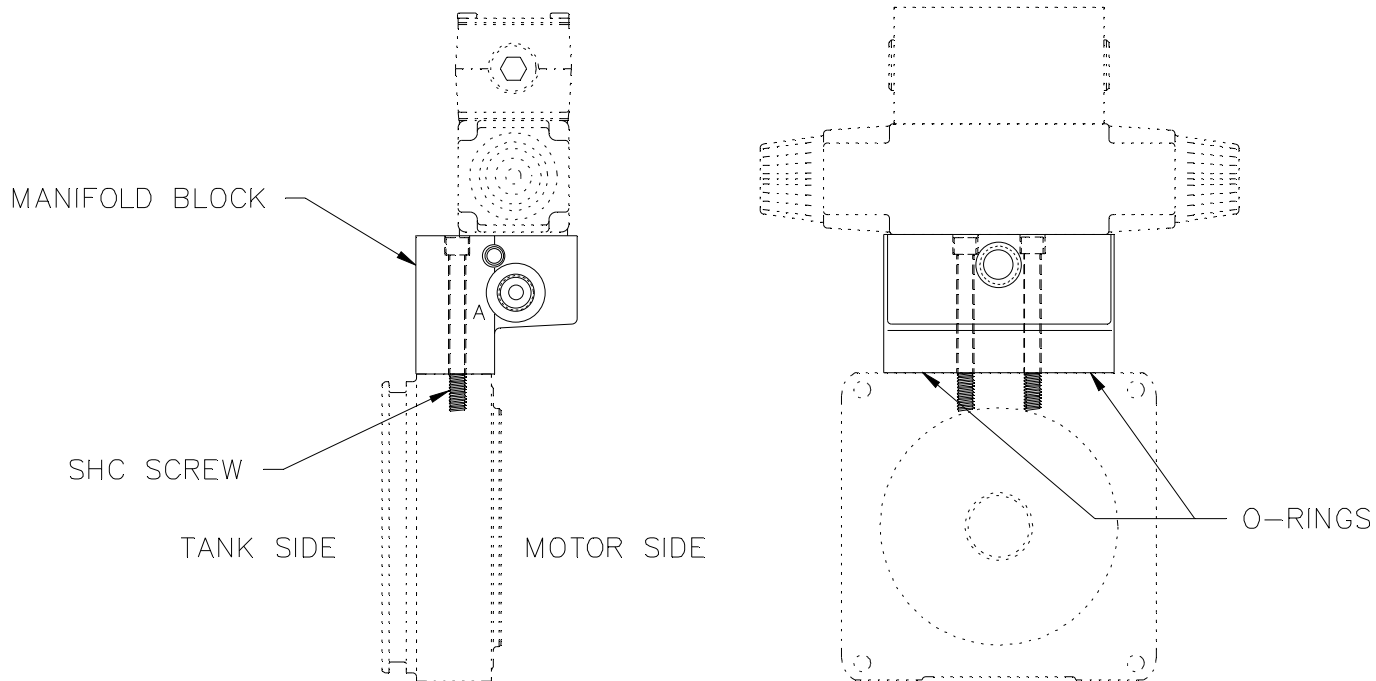


INSTALLATION INSTRUCTIONS FOR KB10/KB11



BEFORE ASSEMBLY:

1. CHECK THAT KIT CONTAINS THESE ITEMS:

QTY	DESCRIPTION
1	MANIFOLD BLOCK
2	SHC SCREW
2	O-RING

2. CHECK THAT BOTH PRESSURE AND AUXILIARY PORTS IN TOPFACE OF ENDHEAD ARE NOT PLUGGED.
3. CHECK THAT 1/4 AND 1/16 NPT PLUGS IN MANIFOLD BLOCK ARE TIGHT.
4. CHECK THAT 1/16" NPT PLUG IN TOPFACE OF ENDHEAD IS TIGHT.
5. CHECK THAT TOPFACE OF ENDHEAD IS FREE FROM DAMAGE AND DEBRIS.

ASSEMBLY INSTRUCTIONS:

1. INSTALL TWO O-RINGS IN COUNTERBORES IN UNDERSIDE OF MANIFOLD BLOCK.
2. ALIGN MANIFOLD BLOCK AS SHOWN, AND PLACE FLAT ON TOP OF ENDHEAD.
3. START TWO CAPSCREWS BY HAND AND THEN TIGHTEN EVENLY TO 9-10 FT LBS.
4. INSTALL CETOP 3 VALVE PER MANUFACTURER'S INSTRUCTIONS.

RECOMMENDED NEXT STEP:

1. INSTALL RESERVOIR ONTO ENDHEAD.