



BOLTING FLOW CONTROL VALVE

- ▶ Allows the operator to position the torque wrench with zero risk of entrapment or nipped fingers
- ▶ Suitable for hydraulic tool applications where local isolation and operator control is required
- ▶ Isolates the wrench whilst operator carries out drive direction changes, link switch over on low profile tools

Features & Benefits

- Pressure balanced spool mechanism allowing for easier trigger pull/squeeze effort (fatigue reduction)
- Two-stage trigger system (interlock and trigger) preventing accidental operation/advancement of the tool
- 2:1 Safety Factor (pressure test min 20,000 psi / 1380 bar)
- Can be used with any hydraulic torque wrench

▶ **Other Related Items**



Pumps

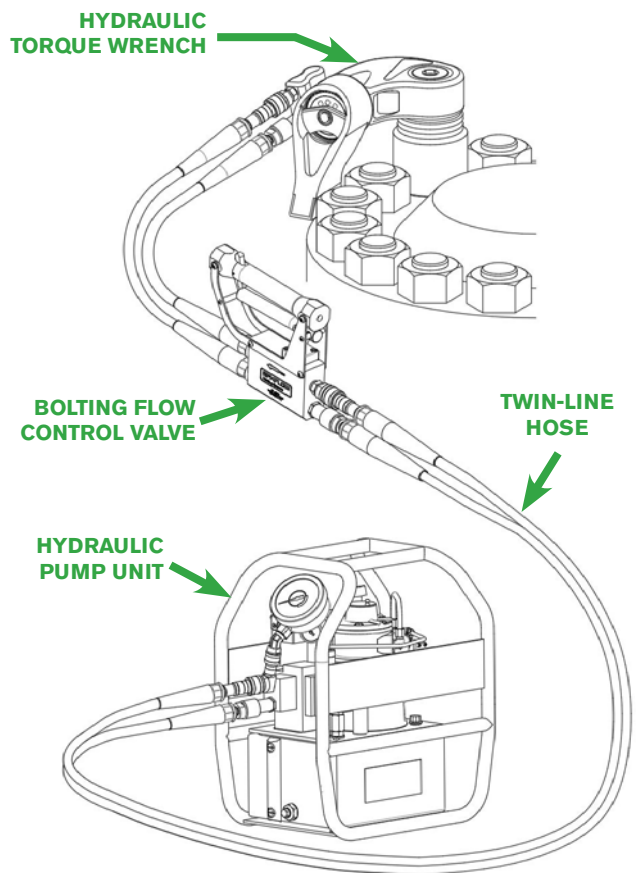


Wrenches



Hoses

Refer to the Bolting Systems catalog or website for more details.



▶ **Technical Dimensions**

	Part No.	A	B	C	D	Weight
	4000148	In (mm) 10.382 (264)	In (mm) 30.75 (781)	In (mm) 1.883 (48)	In (mm) 7.609 (193.5)	Lbs (kg) 6.19 (3.13)

Specifications subject to change without notice

SPXFLOW

SALES, SERVICE AND RENTAL CENTERS

USA

Houston, Texas USA

3106 E. Pasadena Frwy
Pasadena, TX 77503 USA
Tel: +1 713 472 2500
Fax: +1 713 472 2501

houston@spxboltingsystems.com

Corpus Christi, Texas USA

4930 Gemini
Corpus Christi, Texas 78405 USA
Tel: +1 361 445 3727
Fax: +1 361 445 3728

corpus@spxboltingsystems.com

Gonzales, Louisiana USA

3141 S. Darla Avenue
Gonzales, Louisiana 70737 USA
Tel: +1 225 774 0888
Fax: +1 225 450 2211

louisiana@spxboltingsystems.com

Sulphur, Louisiana USA

329 N. Beglis Parkway
Sulphur, Louisiana 70663 USA
Tel: +1 337 528 2500
Fax: +1 337 528 2800

louisiana@spxboltingsystems.com



Visit us at spxboltingsystems.com

UK

Aberdeen, UK

Tel: +44 1224 756100

aberdeen@spxboltingsystems.com

Europe

Albert Thijsstraat 12
6471 WX Eygelshoven
The Netherlands
Tel: +31 45 567 8877

europe@spxboltingsystems.com

India

SPX Flow Technology (India) Pvt. Limited
Survey No. 275
Odhav, Ahmedabad - 382 415
Tel: +91-99099-85454
+91-97277-19950

india@spxboltingsystems.com

SEA

20 Pioneer Crescent #06-01
West Park BizCentral
Singapore 628555
Tel: +65 6265 3343
Fax: +65 6265 6646

singapore@spxboltingsystems.com

China

No. 1568 Hua Shan Road
Treasury Building, 7th Floor
Shanghai 200052, China
Tel: +86 21 2208 5660/5659/5667
Fax: +86 21 2208 5682

china@spxboltingsystems.com

Australia

SPX Flow Technology Australia Pty Ltd
Quad 2, 6 Parkview Drive
Homebush Bay NSW 2127
Tel: +61 02 9763 4900
Fax: +61 02 9763 7888

ft.aus.cs@spxflow.com

ENGINEERING, MANUFACTURING AND SUPPORT CENTERS

Rockford, Illinois USA

5885 11th Street
Rockford, IL 61109 USA
Tel: +1 815 874 5556
Fax: +1 800 288 7031

info@spxboltingsystems.com

Ashington, UK

Wansbeck Workspace
Rotary Parkway
Ashington
Northumberland NE63 8QZ

Global Technical Assistance, UK
+44 1670 850580

boltingsupport@spxflow.com

Distributed by:

> Bolting Systems®

SPX FLOW, Inc. reserves the right to incorporate our latest design and material changes without notice or obligation.

Design features, materials of construction and dimensional data, as described in this bulletin, are provided for your information only and should not be relied upon unless confirmed in writing. Please contact your local sales representative for product availability in your region. For more information visit www.spxflow.com.

The green "S" and "X" are trademarks of SPX FLOW, Inc.

BS_BFCV1911-US Version: 11/2019

COPYRIGHT © 2019 SPX FLOW INC.