



POWER TEAM

HYDRAULIC TECHNOLOGIES

PB43 SERIES PUMP

*High Pressure Hydraulic 10,000PSI
60V Battery Pump*



ENGINEERED TO DELIVER RELIABILITY

Designed and Configured to Meet A Variety of Tough Applications.

The Power Team PB43 Series Hydraulic Battery Powered Pump offers high flow, a long life 8ah 60v battery, and a wide range of valve configurations. The PB43 Series pumps meet a wide array of high-pressure applications where portability, speed and performance is required.

Designed for substitution of electric, gas or air powered pumps with high flow capability. The Power Team PB43 Series Hydraulic Pump delivers the performance needed to improve productivity while keeping safety in mind.

Value Delivered.

- Industry leading, field proven, Power Team Vanguard Pump technology
- Two-stage, high-pressure (10k PSI) hydraulic pump offers quick tool advancement in the first stage with industry leading second stage mid pressure flow: 82 in3/m 2,000 PSI, 62 in3/m 7,000 PSI, 43 in3/m 10,000 PSI
- Quiet, 75 dBA at max pressure great option for indoor applications or where noise is a concern.
- 2.1HP motor provides ample power to support high-pressure performance
- Wide array of valve options allowing a hydraulic circuit that fits your exact needs
- Lightweight and portable, 72.5 lbs. with battery and oil
- Motor guard and integrated lifting handle offer increased protection and transportation to job sites hassle-free
- Ergonomic IP55 rated remote pendant with 12 ft / 3.6m cord and large button design, requiring low finger depression force to operate, decreasing operator fatigue
- 60V DC Battery, Battery charger, protective cage and valve choice included with purchase
- Reservoir size options available, refer to pump configuration page

60VDC 8Ah battery and charger Included



Unleash the force of a 60-volt battery, driving hydraulic power to new heights!

- 60-volt battery powered motor offers increased power to deliver industry leading pump flow performance
- Li-ion 60VDC, 8.0 Ah battery with 4 level battery life indicator
- 1.5 Hour battery charge time from drained to full
- 30 Minutes continuous run time with a RD106 cylinder: Extending to 10k PSI holding and retracting to 10k PSI and holding (130 cycles)
- Additional 60VDC - 8Ah Li-ion Global batteries available for purchase
- Charger available in 115VAC 60HZ
- Global battery compatible with both chargers styles

PUMP TECHNOLOGY AT A GLANCE



Many valve configurations available

Robust protective cage with carrying handle for ease of transport

Powerful 60V motor with long run-time 8Ah battery

Easy access battery compartment with protective flip up lid.

130 cycles on a RD106 cylinder to 10k PSI holding and retracting to 10k PSI and holding, providing 30 minutes of continuous run time on a single charge (1.5-hour charge time)

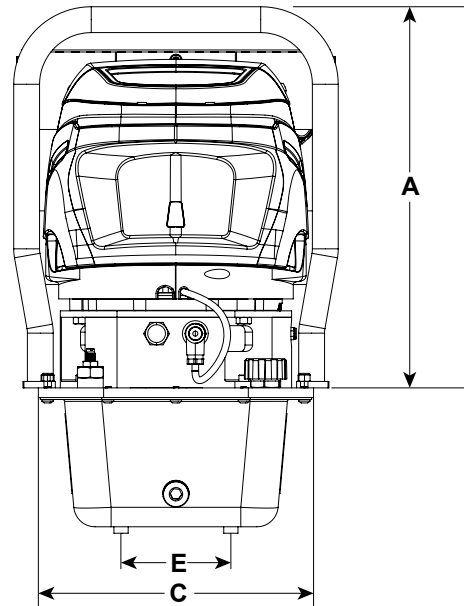
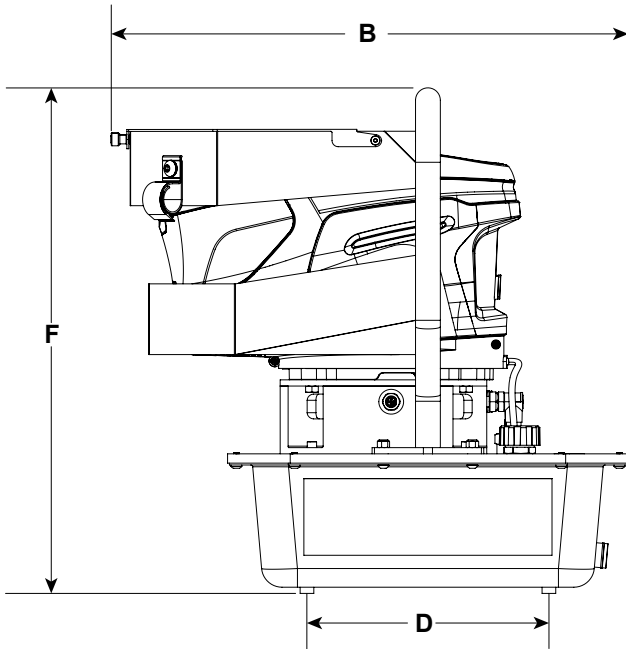
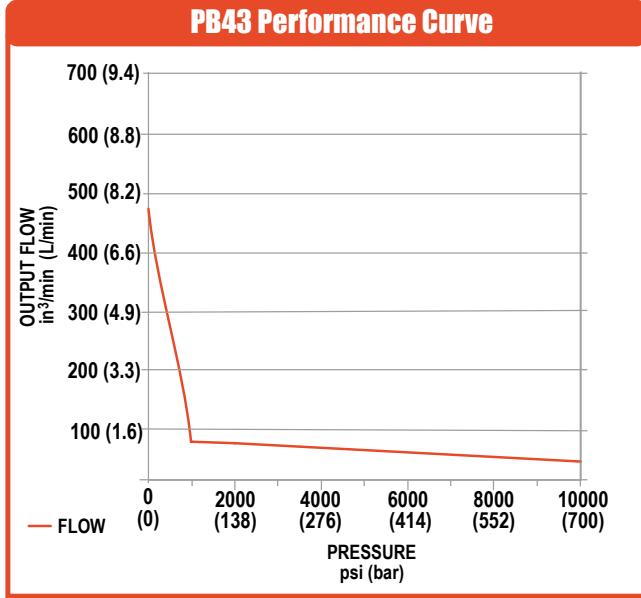
Deep draw reservoir with O-ring Lip for leak-free operation

Inserts for fixturing or mounting optional full roll cage

Equipped with the industry leading Vanguard™ pump technology

1-button (jog) pendant with on-board storage

TECHNICAL DIMENSIONS



Technical Dimensions

A	B	C	D	E	F	Max Press. Output Bar (psi)	RPM	dBA at Idle and Max Press	Oil Delivery - l/min (cu.in/min) @				Wt* kg (lbs)
									7 Bar (100psi)	35 Bar (500psi)	350 Bar (5000 psi)	700 Bar (10000 psi)	
millimeters (inches)													
374.65 (14.75)	529.59 (20.85)	318.77 (12.55)	247.65 (9.75)	107.95 (4.25)	517.39 (20.37)	700 (10,000)	3100	73 / 75	7.8 (480)	1.3 (78)	1.2 (70)	0.7 (43)	32.9 (72.5)

Recommended operating temperature range of pump is -25°C to +50°C (-13°F to 122°F)

* Weight typical for basic unit PB43MA1P-1, including oil and battery (Charger not included in weight)

CONFIGURATIONS

Model Numbers / Ordering Information

Part Number	Reservoir size Liters (US Gal)	Usable Oil Cap. Litres (US Gal)	Valve	Cylinder Applications	Operation	Valve type	Adv/Ret	Adv/ Hold/ Ret	PosiCheck
PB43MA1P-1	5.7 (1.5)	4.8 (1.28)	9500	SA / DA	Manual	4-Way, 3-Pos. Tandem Center	No	Yes	No
PB43MD1P-1	5.7 (1.5)	4.8 (1.28)	9506	SA / DA	Manual	4-Way, 3-Pos. Tandem Center	No	Yes	Yes
PB43MH1P-1	5.7 (1.5)	4.8 (1.28)	9520	SA	Manual	3-Way, 3-Pos. Tandem Center	No	Yes	Yes
PB43MI1P-1	5.7 (1.5)	4.8 (1.28)	9582-A	SA	Manual	3-Way, 2-Pos.	No	Yes	No
PB43ML1P-1	5.7 (1.5)	4.8 (1.28)	9628	SA / DA	Manual	Post-Tensioning	Special	No	No
PB43MA2P-1	9.5 (2.5)	8.7 (2.30)	9500	SA / DA	Manual	4-Way, 3-Pos. Tandem Center	No	Yes	No
PB43MD2P-1	9.5 (2.5)	8.7 (2.30)	9506	SA / DA	Manual	4-Way, 3-Pos. Tandem Center	No	Yes	Yes
PB43MH2P-1	9.5 (2.5)	8.7 (2.30)	9520	SA	Manual	3-Way, 3-Pos. Tandem Center	No	Yes	Yes
PB43MI2P-1	9.5 (2.5)	8.7 (2.30)	9582-A	SA	Manual	3-Way, 2-Pos.	No	Yes	No
PB43ML2P-1	9.5 (2.5)	8.7 (2.30)	9628	SA / DA	Manual	Post-Tensioning	Special	No	No

* When ordering 115V 60HZ Charger US plug use (-1) for the 200-240V 50/60HZ Charger CE EU plug use (-2) for the 200-240V 50/60HZ Charger UK plug use (-3) for the 200-240V 50/60HZ Charger AU plug use (-4)

Example: (PB43MA1P-1 / PB43MA1P-2/ PB43MA1P-3 / PB43MA1P-4)

“PLUG & PLAY” ACCESSORIES

Order No.	Description
3001185	Full Roll Cage for use with PB43 pumps Wt. 4.5kg (10lbs)
2010995	115VAC 60HZ Charger with US plug
2011156	230V 50/60HZ CE Charger with EU plug
3001464	230V 50/60HZ CE Charger with UK plug
3001465	230V 50/60HZ CE Charger with AU plug
2010994	60VDC-8Ah Li-ION Global Battery

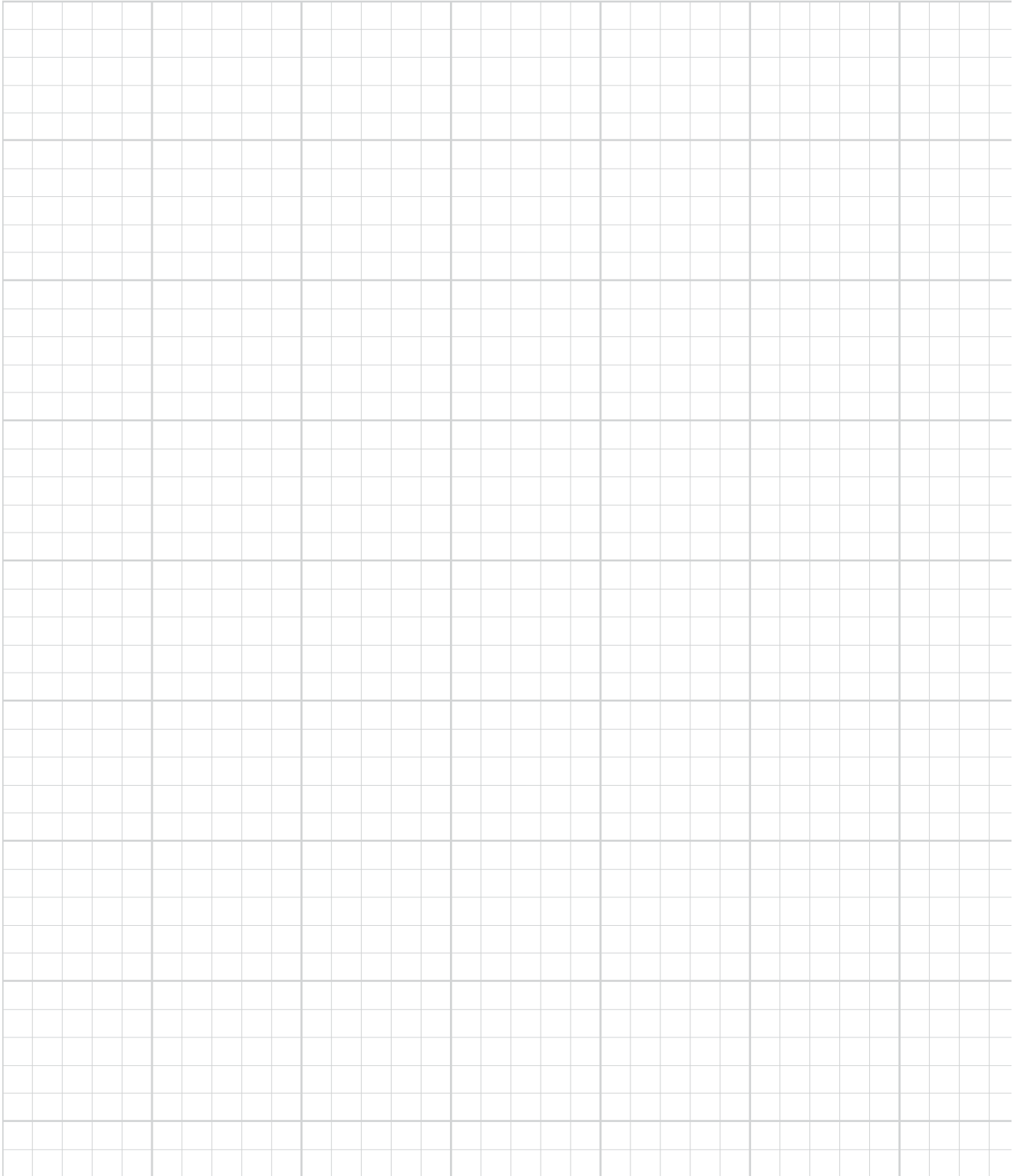


PB43MA1P-1, LM4D, and (4) RDG556 cylinders (Typical - 4-point, double acting with point flow control system)

CONFIGURATION NOTES

A large grid for configuration notes, consisting of 20 columns and 30 rows. The grid is empty and intended for handwritten or typed notes.

CONFIGURATION NOTES



CUSTOMER SERVICE CENTERS

Rockford, Illinois USA
5885 11th Street
Rockford, IL 61109 USA
Tel: +1 800 541 1418
Fax: +1 800 288 7031
info.powerteam@spxflow.com

Gonzales, Louisiana USA
3141 S. Darla Avenue
Gonzales, LA 70737 USA
Tel: +1 225 774 0888
info@spxboltingsystems.com

Houston, Texas USA
3106 E Pasadena Freeway,
Pasadena, TX 77503 USA
Tel: +1 713 472 2500
info@spxboltingsystems.com

Corpus Christi, Texas USA
4930 Gemini Street,
Corpus Christi, TX 78405 USA
Tel: +1 361-445-3727
info@spxboltingsystems.com

Europe
Albert Thijsstraat 12
6471 WX Eyselshoven
The Netherlands
Tel: +31 45 567 8877
cs.emea@spxflow.com

India
Power Team Hydraulic Technologies
India Private Limited
Odhav, Ahmedabad - 382 415
Tel: +91 99099 85454
Fax: +91 97277 19950
ft.apac.ht@spxflow.com

South East Asia
Power Team Hydraulic Technologies
Singapore Pte. Ltd.
2 Bukit Batok Street 23,
#02-07 Bukit Batok Connection,
Singapore 659554
Tel: +65 6265 3343
singapore@spxboltingsystems.com

China
Hydraulic Technologies China Ltd.
No 666, Fengjin Road, Xidu Industrial
Park Fengxian District,
Shanghai 201401, China
Tel: +86 021 2208 5659
Fax: +86 21 2208 5682
china@spxboltingsystems.com

Australia
Hydraulic Technologies
Australia Pty Ltd,
211 Atlantic Drive, Keysborough,
Victoria 3173, Australia
Tel: +613 9589 9215
Fax: +61 02 9763 7888
ft.apac.ht@spxflow.com



Hydraulic Technologies reserves the right to incorporate our latest design and material changes without notice or obligation. Design features, materials of construction and dimensional data, as described in this bulletin, are provided for your information only and should not be relied upon unless confirmed in writing. Please contact your local sales representative for product availability in your region. Copyright © 2024 Hydraulic Technologies. All rights reserved.