

**PROFESSIONAL GRADE
HYDRAULIC &
MECHANICAL PULLERS
- TABLE OF CONTENTS -**



**HYDRAULIC
PULLERS
(5-200 TON)
6-17**



**BLANKET &
BENCH VISE
18-19**



**MECHANICAL
PULLERS
(1-40 TON)
20-23**



**TRANSMISSION
& SLIDE HAMMER
PULLERS
24-25**



**MECHANICAL
PULLER &
ADAPTOR SETS
26-27**



**MOTOR
ALIGNMENT
SETS
28-29**



**PULLER
PARTS &
ACCESSORIES
30-31**



© 2020 SPX FLOW Inc. All rights reserved. Every effort has been made to assure the accuracy of product descriptions in this catalog at the time of printing. SPX FLOW reserves the right to modify or discontinue products without prior notice, alter or amend any published specification without notice. SPX FLOW trade-names, trademarks, or any part of the document or any of its contents may not be copied, reproduced, transmitted, modified or used, in whole or in part, without the express prior written consent of SPX FLOW Inc. "POSI LOCK", "Power Team", "Vanguard Jr.", "Quarter Horse", "Flame-out", "Posi-Check", "Roll-Bed", "Power-Twin" are registered trademarks of SPX FLOW Inc.

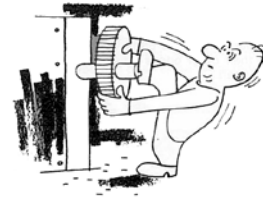
Components Requiring Extraction



Primary Markets / Applications

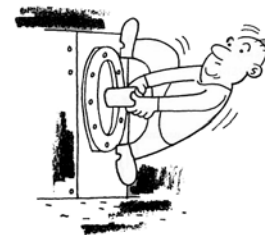


**You need a firm grip,
a straight pull and the
proper force...**



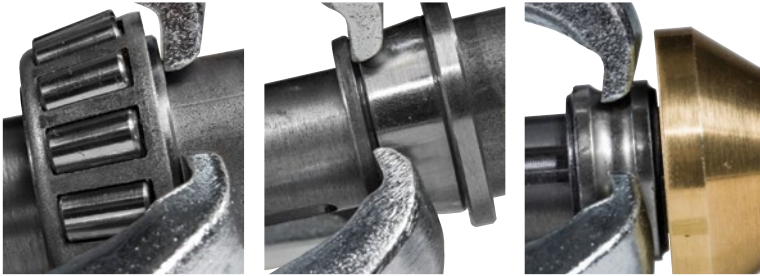
Whether it's a gear, wheel or bearing: If you grip it by its outer edges and apply force to the shaft, you can perform a proper pulling job.

Bearing cups, retainers and seals must be gripped through their inside diameters and pulled straight out to avoid damage.



Gripping a shaft and bracing against the housing for the pull offers the best solution to this basic pulling problem.

▶ Puller Selection



Tapered jaw design allows clamping around bearing for a perfect pull.

Tapered roller bearing on shaft.

Lock on ball grooves and bearing races.

HOW TO SELECT THE “RIGHT” PULLER

1. DETERMINE THE TYPE OF PULLER OR PULLER COMBINATION

Which puller type is best for “getting a grip” on the part, internal or external puller?

2. DETERMINE THE “REACH” NEEDED

The puller you select must have a “reach” equal to, or larger than, the corresponding dimension of the job.

3. DETERMINE THE “SPREAD” NEEDED

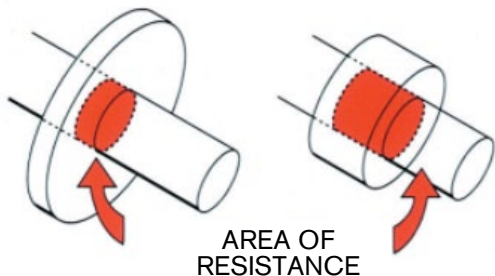
The width of the part to be pulled will determine the “spread” required.

4. ESTIMATE THE FORCE REQUIRED

A puller with the proper “reach” and “spread” will usually have enough power. When in doubt, always use the next larger size...more power may be needed for rusted parts, or when the “area of resistance” is large.

Considerations

The “area of resistance” or “area of press fit” can vary greatly between seemingly similar jobs, such as in the example shown below. Study each pulling job before you select the puller.

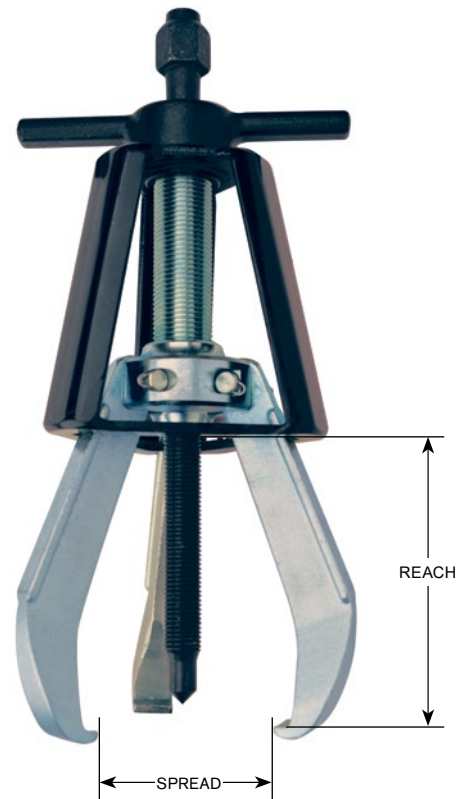
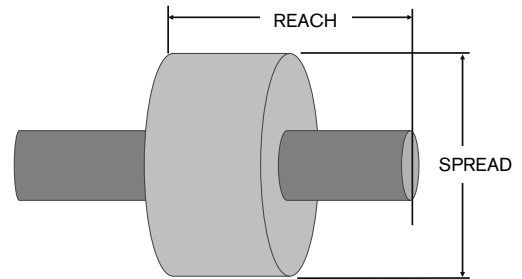


For manual, screw-powered pullers: The puller screw must be at least half as large (in diameter) as the shaft of the pulling job.

For hydraulic pullers: The maximum force exerted in tons should be 7 to 10 times the diameter of the shaft in inches.

HOW TO MEASURE “REACH” AND “SPREAD”

“Reach” and “spread” dimensions of the job must first be determined. A typical example - a component to be removed from a shaft - is shown below. The length of the protruding shaft and the thickness of the component determine the “reach” needed. The width of the component determines the spread required.



Hydraulically actuated
facilitates the opening,
closing, locking and
aligning of the jaws

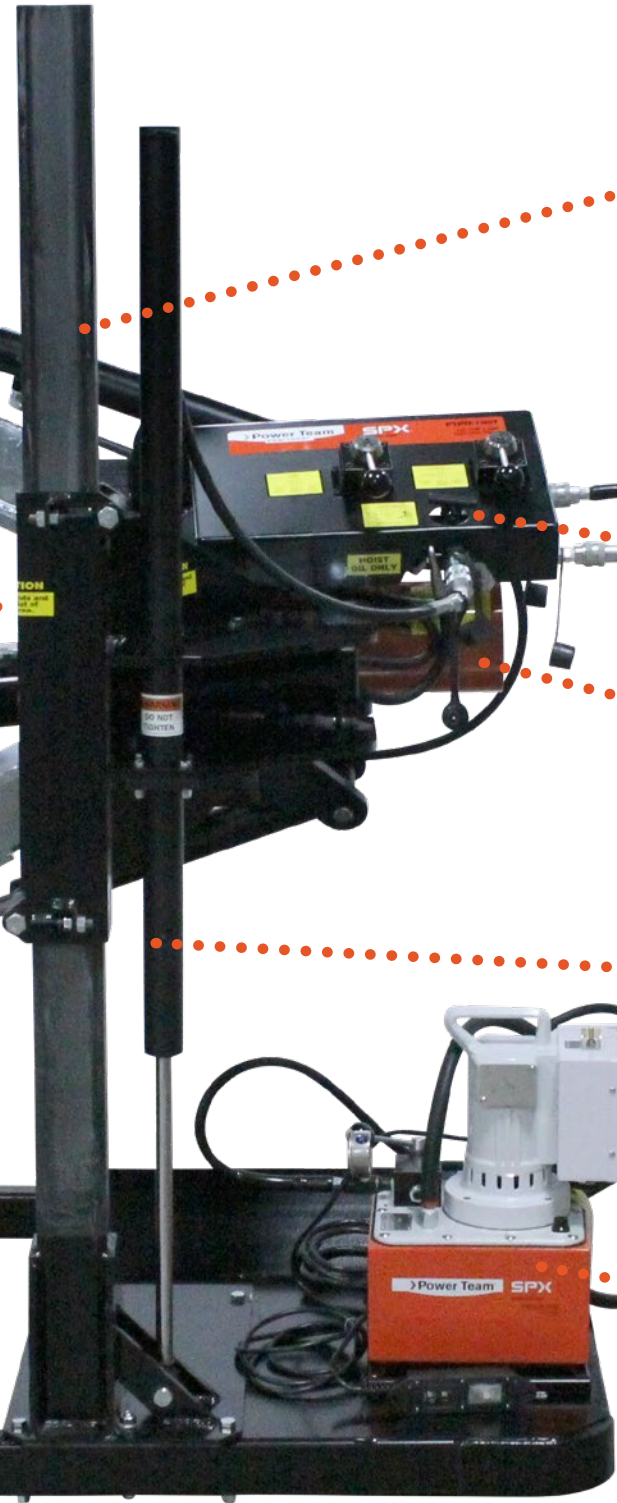
Adjustable Jaw Tips
provides extra flexibility

Optional cylinder tips
to meet your application
needs

**THE
CAGE®
IS THE
KEY**
**POSI
LOCK**
Safety Cage®
guides jaws for
quick setup,
providing a “vise-
like” grip reducing
slippage

**Transport and positioning
cart** included





• 100 Ton models can be separated from cart for remote application and use

• Control panel includes gauges, hose and accessories

• Hydraulic cylinder reacts off shaft enabling jaws to extract object in a controlled manner

• Hydraulic lift cylinder lifts puller for ease of alignment available based on model

• System includes a 10,000 PSI (690 Bar) - 2 stage pump

Model Shown:
PTPH-200T



>Features

PROVIDES ULTIMATE HYDRAULIC PULLER MUSCLE FOR THE REMOVAL OF STUBBORN GEARS, BEARINGS, AND WHEELS FROM HEAVY MINING, RAILROAD, AND CONSTRUCTION MACHINERY.

- 200-ton capacity puller with 48" (1219 mm) reach and 70" (1778 mm) spread for extra-large pulling requirements
- Lightweight, two-stage, industry leading 10,000 PSI (690 Bar) heavy-duty electric pump for reliable performance use after use
- 10,000 PSI (690 Bar) double-acting 13.25" (337 mm) stroke cylinder for ease of compression and retraction
- Hydraulic-actuated lift cart extends vertically up to 5' (1.52 m) to align easily with project
- Remote jog switch with a 10' (3m) cords allows for additional worker safety



Hydraulic Puller Selection

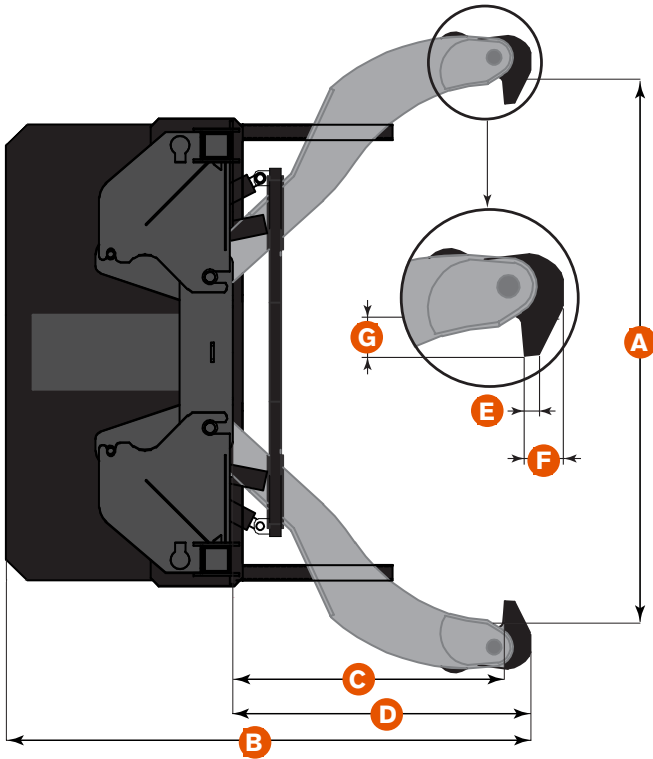
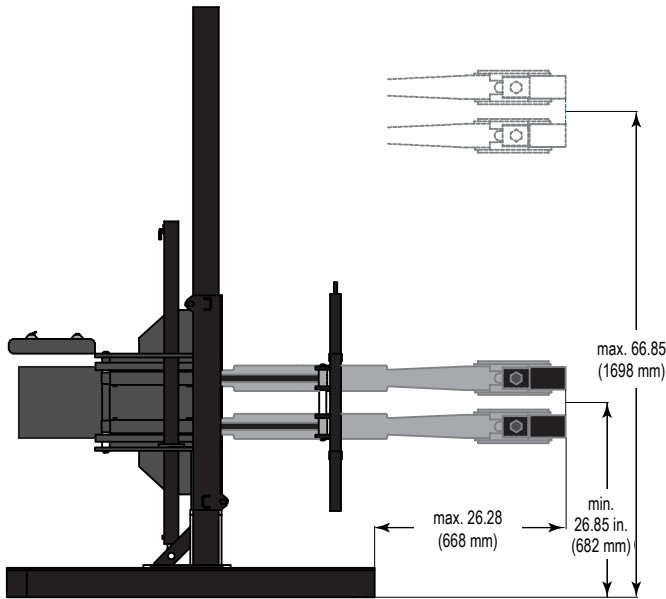


The maximum force exerted in tons should be 7 to 10 times the diameter of the shaft in inches; for example, a 1.5" (38 mm) diameter shaft would generally require a 15-ton puller.

> 200 Ton cylinder used in this pulling application.



Technical Information



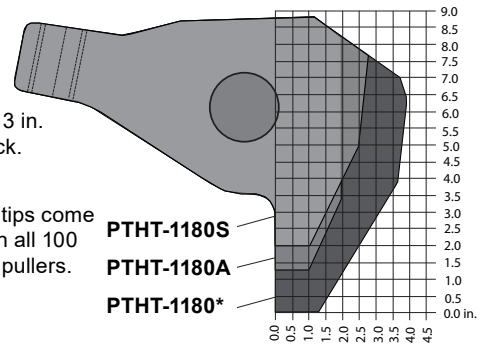
Included with the 200 Ton Pullers

- 10,000 PSI (690 Bar) electric two-stage pump
- 200-ton cylinder 10,000 PSI (690 Bar), double acting 13.25" (337 mm) stroke
- Remote jog switch with 10' cord (3.05 m)
- Hydraulic-actuated lift cart extends puller from ground to a height of 5' (1.52 m)
- Jaws are hydraulically controlled with cylinders
- Multiple pushing adaptors
 - 1 - 4" diameter x 9" (102 x 229 mm)
 - 1 - 4" diameter x 19" (102 x 483 mm)
 - 1 - 4" diameter x 29" (102 x 737 mm)
 - 1 - 4" diameter x 39" (102 x 990 mm)
- Adjustable jaw tips and guides (Custom jaw tips available)

Optional Jaw Tips

All jaws are 3 in. (76 mm) thick.

*PTH-1180 tips come standard with all 100 and 200-ton pullers.



Ordering Information

Model Number	Capacity	Number of Jaws	Dimensions							Weight
			Spread	Overall Length	Reach	Jaw Length	Jaw Tip Width	Tip Clearance	Tip Depth	
			A	B	C	D	E	F	G	
	Tons (kN)		in. (mm)	in. (mm)	in. (mm)	in. (mm)	in. (mm)	in. (mm)	in. (mm)	lbs. (kg)
PTPH-200T	200 tons (1779 kN)	4	8 to 70 in. (203 to 1778 mm)	78.5 in. (1994 mm)	48 in. (1219 mm)	53 in. (1346 mm)	1.25 in. (32 mm)	3.5 in. (89 mm)	3.5 in. (89 mm)	4150 lbs. (1882 kg)

Model Shown:
PTPH-100T



Vertical 100-Ton Hydraulic Puller | PTPH-102TV

The 100-Ton vertical hydraulic puller was designed for big pulling jobs with limited jaw placement options. This two-jaw vertical puller is available with a single or double acting cylinder. This versatile puller can also be used in a suspended position.

Features

100 HYDRAULIC PULLERS PROVIDE MAXIMUM EXTRACTION FORCE IN APPLICATIONS REQUIRING HIGH FORCE REMOVAL OF LARGE PRESS FIT PARTS.

- 100-ton capacity puller with 50" (1270 mm) reach and 70" (1778 mm) spread for extra-large pulling requirements
- Hydraulic-actuated lift cart extends vertically up to 5' (1.52 m) to align easily with project
- Lifting brackets allow the puller to be removed from the cart and lifted into workplaces
- Lightweight, two-stage, industry leading 10,000 PSI (690 Bar) heavy-duty electric pump for reliable performance use after use
- 10,000 PSI (690 Bar) single-acting 10.25" (260 mm) stroke cylinder with spring return for ease of compression and retraction. (Optional double-acting cylinder available)
- Available in 2-jaw, vertical 2-jaw, 3-jaw, or 2/3-jaw combination to allow a wide range of flexibility with any project



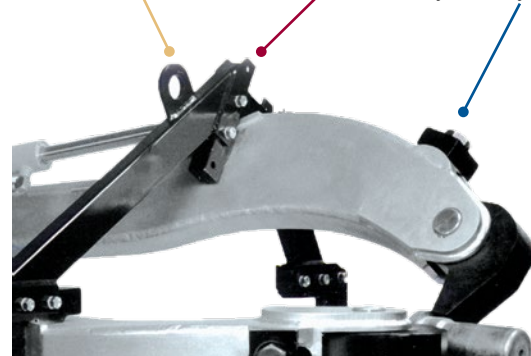
PosiLock Safety Insight

The PTPH-123T combination 100-ton puller transforms from a 2-jaw to a 3-jaw puller in 4 easy steps.

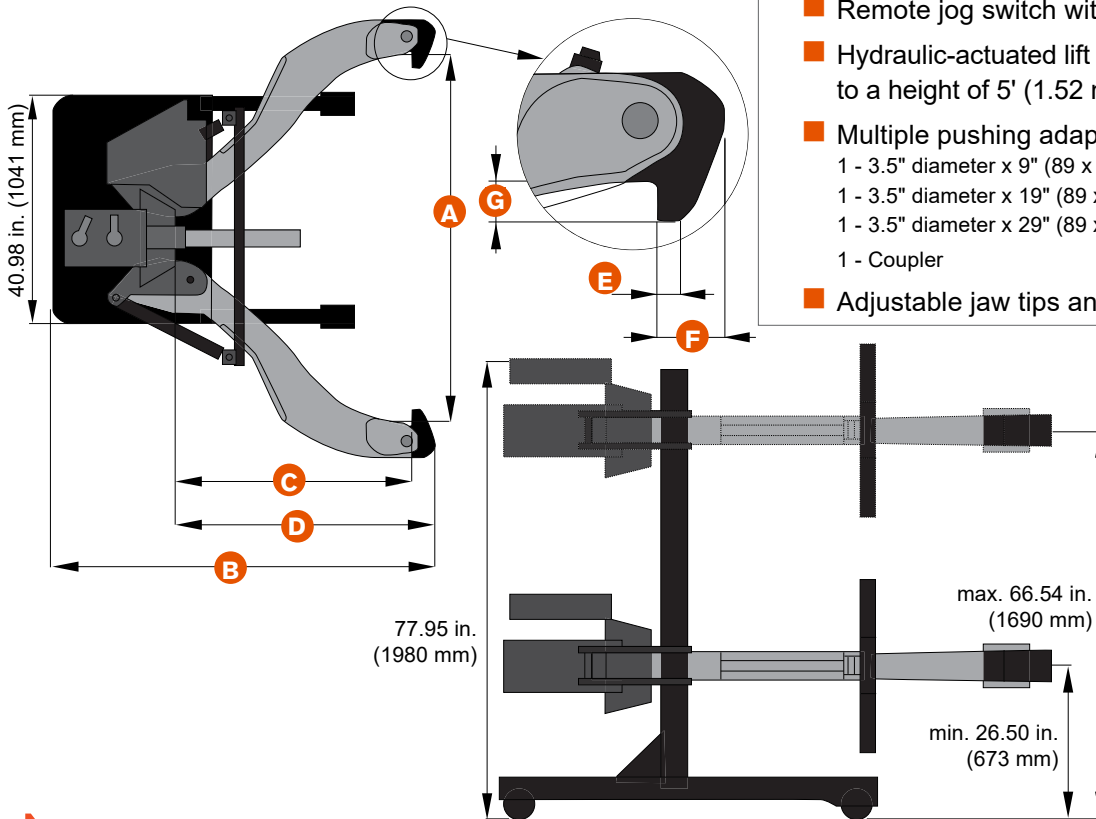
Lifting eyes can be used to lift puller off cart

Adjustable jaw guide

Adjustable jaw tips



Technical Information



Included with the 100 Ton Pullers

- 10,000 PSI (690 Bar) electric two-stage pump
- 100-ton cylinder 10,000 PSI (690 Bar), single acting with return spring 10.25" (260 mm) stroke (Optional double-acting cylinder available)
- Remote jog switch with 10' cord (3.05 m)
- Hydraulic-actuated lift cart extends puller from ground to a height of 5' (1.52 m)
- Multiple pushing adaptors
 - 1 - 3.5" diameter x 9" (89 x 229 mm)
 - 1 - 3.5" diameter x 19" (89 x 483 mm)
 - 1 - 3.5" diameter x 29" (89 x 737 mm)
 - 1 - Coupler
- Adjustable jaw tips and guides (Custom jaw tips available)

Ordering Information

Model Number	Capacity	Number of Jaws	Dimensions							Weight
			Spread	Overall Length	Reach	Jaw Length	Jaw Tip Width	Tip Clearance	Tip Depth	
			A	B	C	D	E	F	G	
Tons (kN)	in. (mm)	in. (mm)	in. (mm)	in. (mm)	in. (mm)	in. (mm)	in. (mm)	in. (mm)	lbs. (kg)	
Single Acting										
PTPH-102T	100 tons (890 kN)	2	7.5 to 70 in. (191 to 1778 mm)	77 in. (1956 mm)	50 in. (1270 mm)	53 in. (1346 mm)	1.25 in. (32 mm)	3.5 in. (89 mm)	3.5 in. (89 mm)	1700 lbs. (771 kg)
PTPH-100T	100 tons (890 kN)	3	7.5 to 70 in. (191 to 1778 mm)	77 in. (1956 mm)	50 in. (1270 mm)	53 in. (1346 mm)	1.25 in. (32 mm)	3.5 in. (89 mm)	3.5 in. (89 mm)	1950 lbs. (885 kg)
PTPH-123T	100 tons (890 kN)	2/3	7.5 to 70 in. (191 to 1778 mm)	77 in. (1956 mm)	50 in. (1270 mm)	53 in. (1346 mm)	1.25 in. (32 mm)	3.5 in. (89 mm)	3.5 in. (89 mm)	2000 lbs. (907 kg)
Single Acting Vertical										
PTPH-102TV	100 tons (890 kN)	2	7.5 to 70 in. (191 to 1778 mm)	77 in. (1956 mm)	50 in. (1270 mm)	53 in. (1346 mm)	1.25 in. (32 mm)	3.5 in. (89 mm)	3.5 in. (89 mm)	1800 lbs. (816 kg)
Double Acting										
PTPH-102TDA	100 tons (890 kN)	2	7.5 to 70 in. (191 to 1778 mm)	77 in. (1956 mm)	50 in. (1270 mm)	53 in. (1346 mm)	1.25 in. (32 mm)	3.5 in. (89 mm)	3.5 in. (89 mm)	1800 lbs. (816 kg)
PTPH-100TDA	100 tons (890 kN)	3	7.5 to 70 in. (191 to 1778 mm)	77 in. (1956 mm)	50 in. (1270 mm)	53 in. (1346 mm)	1.25 in. (32 mm)	3.5 in. (89 mm)	3.5 in. (89 mm)	2050 lbs. (930 kg)
PTPH-123TDA	100 tons (890 kN)	2/3	7.5 to 70 in. (191 to 1778 mm)	77 in. (1956 mm)	50 in. (1270 mm)	53 in. (1346 mm)	1.25 in. (32 mm)	3.5 in. (89 mm)	3.5 in. (89 mm)	2100 lbs. (953 kg)
Double Acting Vertical										
PTPH-102DATV	100 tons (890 kN)	2	7.5 to 70 in. (191 to 1778 mm)	77 in. (1956 mm)	50 in. (1270 mm)	53 in. (1346 mm)	1.25 in. (32 mm)	3.5 in. (89 mm)	3.5 in. (89 mm)	1800 lbs. (816 kg)

Model Shown:
PTPH-50T

Shown with long jaws



Features

FOR THOSE BIG JOBS, THIS 50-TON PULLER SET IS WHAT YOU NEED. JUST THINK OF THE JOBS YOU CAN DO WITH THIS PULLER WITH THE INCLUDED EASY TO MANEUVER CART THAT RAISES TO A HEIGHT OF 55" (1397 MM).

- 50-ton capacity puller with 14" (356 mm) reach and 25" (635 mm) spread for large pulling requirements
- Lightweight, two-stage, industry leading 10,000 PSI (690 Bar) heavy-duty electric pump for reliable performance use after use
- Remote jog switch with a 10' (3 m) cords allows for additional worker safety
- 10,000 PSI (690 Bar) single-acting cylinder that allows for high tonnage repeatable execution
- Flexible mounting platform allows puller to swivel 360 degrees for easy accessibility to any project



Included with the 50 Ton Pullers

- 50-ton puller, model PTPH-116
- Standard and long jaw sets
- Ram Point Set
- PTC-50T cart
- 50-Ton Hydraulic cylinder
- 10,000 PSI (690 Bar) electric two-stage pump, remote jog switch on electric pump with 10' cord (3.05 m)
- 10' (3.05 m) hose
- Gauge, coupler
- Lift and Positioning Plate
- 6" (152 mm) and 12" (305 mm) ram extenders



I Hydraulic Puller Selection



The maximum force exerted in tons should be 7 to 10 times the diameter of the shaft in inches; for example, a 1.5" (38 mm) diameter shaft would generally require a 15-ton puller.

Ordering Information

Model Number	Capacity Tons	Number of Jaws	Reach	Spread	Weight of Set	Long Jaws		
	Tons (kN)		in. (mm)	in. (mm)		Part Number	Reach in. (mm)	Spread in. (mm)
PTPH-50T	50 tons (445 kN)	3	14 in. (356 mm)	3 to 25 in. (76 to 635 mm)	320 lbs* (145 kg)	PTPH-11654L	26 in. (660 mm)	2 to 38 in. (51 to 965 mm)

*Weight does not include hydraulic components due to variances in weight.

Model Shown:
PTPHD-110



Features

5 TO 50-TON CAPACITY HYDRAULIC PULLERS KITS ARE AVAILABLE IN 2- OR 3-JAW MODELS AND OFFER MANY OPTIONS FOR FLEXIBILITY WITH ANY PROJECT.

- 5 to 50-ton capacity puller with up to 14" (356 mm) reach and 25" (635 mm) spread for large pulling requirements
- Lightweight, industry leading 10,000 PSI (690 Bar) heavy-duty electric pump for reliable performance use after use
- 10,000 PSI (690 Bar) single-acting cylinder that allows for high tonnage repeatable execution
- 25 and 50-ton pullers include a storage cart for ease of transportation to and from the job site



Included with the Kits*

- Puller Iron and Ram Point Set
- Hydraulic Cylinder
- Lift and Positioning Plate
- 2 Stage Electric Pump
- Gauge Adapter, 10,000 PSI (690 Bar) Gauge
- 10' heavy-duty Hydraulic Hose
- Male Coupler with dust cap

* PTPHC and PTPHD Hydraulic puller sets with 25-ton and 50-ton capacities include the PTPT-2550 storage cart.



Ordering Information

2 Jaw		3 Jaw		Optional Accessories				
Order No.	Order No.	Cap. Short Tons	Cylinder Included	Reach	Spread	Long Jaws*		
				in. (mm)	in. (mm)	Order No.	Reach in. (mm)	Spread in. (mm)
PTPHD-206	PTPHD-106	5	C55C	6 (152)	.5 to 8 (13 to 203)	-	-	-
PTPHD-208	PTPHD-108	10	C106C	8 (203)	.75 to 12 (19 to 305)	PT11054 PT11054L	9.8 (249) 16 (406)	15.8 (401) 22 (559)
PTPHD-210	PTPHD-110	15	C1510C	9.67 (245)	1 to 15 (25 to 38)	PTPH-11054L	16 (406)	22 (559)
PTPHD-213	PTPHD-113	25	C2514C	12 (305)	2.5 to 18 (64 to 457)	PT11354L	20 (508)	30 (762)
---	PTPHD-116	50	C5513C	14 (356)	3 to 25 (76 to 635)	PTPH-21654L	26 (660)	38 (965)



* Long jaws must be ordered in the quantity required. For example, order three PT11054 for the PTPHD-108.

Model Shown:
PTPHC-110



Features

THESE HYDRAULIC PULLERS DESIGNED TO HANDLE REMOVING JOBS WITH A MINIMAL AMOUNT OF EFFORT FOR THE ULTIMATE EFFICIENT PULLING SOLUTION.

- 5 to 50-ton capacity puller with up to 14" (356 mm) reach and 25" (635 mm) spread for large pulling requirements
- Lightweight, two-speed manually operated 10,000 PSI (690 Bar) hydraulic pump provides high oil volume for fast cylinder piston approach, then the pump automatically shifts to the high-pressure stage to move the load
- 10,000 PSI (690 Bar) single-acting cylinder that allows for high tonnage repeatable execution
- 25 and 50-ton pullers include a storage cart for ease of transportation to and from the job site



Included with the Kits*

- Puller Iron and Ram Point Set
- Hydraulic Cylinder
- Lift and Positioning Plate
- Two Speed Manually operated Pump
- Gauge Adapter, 10,000 PSI (690 Bar) Gauge
- 10' (3.05 m) heavy-duty Hose
- Male Coupler with dust cap

* PTPHC and PTPHD Hydraulic puller sets with 25-ton and 50-ton capacities include the PTPT-2550 storage cart.



Ordering Information

2 Jaw	3 Jaw											
Order No.	Order No.	Cap. Short Tons	Cylinder Included	Pump Included	Gauge Included	Hose Included	T Adapter Included	Reach in. (mm)	Spread in. (mm)	Long Jaws*		
Order No.	Order No.	Cap. Short Tons	Cylinder Included	Pump Included	Gauge Included	Hose Included	T Adapter Included	Reach in. (mm)	Spread in. (mm)	Order No.	Reach In. (mm)	Spread In. (mm)
PTPHC-206	PTPHC-106	5	C55C	P19L	9040	9756	9670	6 (152)	.5 to 8 (13 to 203)	-	-	-
PTPHC-208	PTPHC-108	10	C106C	P19L	9040	9756	9670	8 (203)	.75 to 12 (19 to 305)	PT11054 PT11054L	9.8 (249) 16 (406)	15.8 (401) 22 (559)
PTPHC-210	PTPHC-110	15	C1510C	P59L	9040	9756	9670	9.67 (245)	1 to 15 (25 to 38)	PTPH-11054L	16 (406)	22 (559)
PTPHC-213	PTPHC-113	25	C2514C	P159	9040	9756	9670	12 (305)	2.5 to 18 (64 to 457)	PT11354L	20 (508)	30 (762)
---	PTPHC-116	50	C5513C	P460	9040	9756	9670	14 (356)	3 to 25 (76 to 635)	PTPH-21654L	26 (660)	38 (965)



Optional Accessories

Long Jaws*

* Long jaws must be ordered in the quantity required. For example, order three PT11054 for the PTPHC-108.

Model Shown:
PTPHB-116, PTPHB-110



Features

KNOWN FOR SAFETY, DURABILITY, AND EASE OF USE, POSI LOCK PULLERS ARE DESIGNED TO HELP EXTEND BEARING LIFE IN APPLICATIONS THROUGH PROPER INSTALLATION, REMOVAL, AND SERVICE.

- 5 to 50-ton capacity puller with up to 14" (356 mm) reach and 25" (635 mm) spread for large pulling requirements
- 10,000 PSI (690 Bar) single-acting cylinder that allows for high tonnage repeatable execution
- 25 and 50-ton pullers include a storage cart for ease of transportation to and from the job site
- Slim tapered heat-treated tips allow for better gripping and easier access in tight spots



Puller Accessories

Power Team offers accessories to compliment your puller. These accessories conveniently store, transport and position your hydraulic pullers to maximize your productivity.



Order No.	Puller No. *
Storage Transport Cart	
PTPT-2550	PTPHB-213
PTPT-2550	PTPHB-113
PTPT-2550	PTPHB-116

Ordering Information

2 Jaw	3 Jaw	Cap. Short Tons	Cylinder Included	Reach	Spread	Order No.	Reach	Spread
Order No.	Order No.			in. (mm)	in. (mm)		in. (mm)	in. (mm)
PTPHB-206	PTPHB-106	5	C55C	6 (152)	.5 to 8 (13 to 203)	-	-	-
PTPHB-208	PTPHB-108	10	C106C	8 (203)	.75 to 12 (19 to 305)	PT11054 PT11054L	9.8 (249) 16 (406)	15.8 (401) 22 (559)
PTPHB-210	PTPHB-110	15	C1510C	9.67 (245)	1 to 15 (25 to 38)	PTPH-11054L	16 (406)	22 (559)
PTPHB-213	PTPHB-113	25	C2514C	12 (305)	2.5 to 18 (64 to 457)	PT11354L	20 (508)	30 (762)
---	PTPHB-116	50	C5513C	14 (356)	3 to 25 (76 to 635)	PTPH-21654L	26 (660)	38 (965)



Optional Accessories

Long Jaws*

* Long jaws must be ordered in the quantity required. For example, order three PT11054 for the PTPHB-108.

Model Shown:

PTPH-113IE (Internal/External)



Features

INTERNAL/EXTERNAL PULLING MADE EASY. FUNCTIONS WITH A PTPHB, PTPHC, AND PTPHD HYDRAULIC 5 TO 50-TON CAPACITY PULLERS TO ALLOW THE FLEXIBILITY OF INTERNAL OR EXTERNAL PULLING.

- External pulling up to 20" (508 mm) reach and 30" (762 mm) spread for large pulling requirements
- Internal pulling up to 7" (178 mm) reach and 21" (533 mm) spread for an effective range of internal pulling capabilities
- Safety cage houses either the internal or external jaws by simply removing the ball lock pins that allows you to change from internal to external in seconds
- Slim tapered heat-treated tips permit better gripping and easier access in tight spots

Ordering Information

Order No.	Number of Jaws	Part Number	Jaw Style	Reach In. (mm)	Spread In. (mm)	Overall Length In. (mm)	Jaw Width In. (mm)	Jaw Length In. (mm)
PTPH-113IE	3	11354T	Internal	7 (178)	8 to 21 (203 to 533)	25.75 (654)	1.25 (32)	10.9 (277)
	3	11354	External	12 (305)	2.5 to 18 (64 to 457)	27 (686)	1.25 (32)	13.7 (348)
OPTIONAL	3	11354L	External Long	20 (508)	1.5 to 30 (38 to 762)	36 (914)	1.25 (32)	21.6 (549)

Model Shown:
PTPHS-108, PTPHS-208



Features

THESE POWERFUL, SELF-CONTAINED PULLING SYSTEMS ARE IDEAL FOR PULLING A WIDE VARIETY OF PRESS-FIT PARTS, INCLUDING BEARINGS, GEARS, BUSHINGS, WHEELS, AND PULLEYS. YOU GET THE EASE OF A MANUAL PULLER WITH THE POWER OF HYDRAULICS.

- 108 or 208 puller assembly with standard length jaws with a reach up to 8" (203 mm) and a 12" (305 mm) spread
- Self-contained pump/cylinder with swiveling adjustable-length pump handle for ease of use at any angle
- Multiple extension rod parts that includes a 1.9" (48 mm) and two 2.9" (74 mm) extension rods with centering tips for versatility with any project
- T-handle facilitates the opening, closing, locking, and aligning of the jaws for easy operation
- Safety cage guides jaws for quick setup, providing a "vise-like" grip reducing slippage



Long Jaws



When ordering optional long jaws, extension rods should also be ordered to extend length of ram.

Ordering Information

2 Jaw		3 Jaw		Cap. Short Tons	Jaw	Reach in. (mm)	Spread in. (mm)	Optional Accessories		
Order No.	Order No.	Order No.	Reach in. (mm)					Spread in. (mm)		
PTPHS-208	PTPHS-108	12	10854	8 (203)	.75 to 12 (19 to 305)	PT11054 PT11054L	9.8 (249) 16 (406)	15.8 (401) 22 (559)		

* Long jaws must be ordered in the quantity required. For example, order three PT11054 for the PTPHS-108.

Model Shown:
PB



Features

POWER TEAM PULLER BLANKETS ARE DESIGNED TO CONTAIN BROKEN OR FLYING PARTS FROM THE MOST EXTREME FORCES, THUS RESULTING IN A MUCH SAFER WORK ENVIRONMENT.

- Made of see-through, high-tensile, tear resistant material
- The clear retention blankets allow you to visually monitor the job from start to finish
- Ideal for use with pullers and forcing presses.
- Unlike rigid, fixed guards, these blankets can be wrapped and strapped around a job
- Offers additional protection for the user during dismantling jobs
- Suitable for use in combination with many pullers



Learn More - About Hydraulic Safety Insight



Looking for great safety suggestions? Visit our Resource Section to get a better understanding of hydraulic and mechanical safety insights on what to look for when working around hydraulics.

Ordering Information

Order No.	Fits Puller Range by Ton	Size	Number of Straps	Weight
		in. (mm)		lbs. (kg)
PB1230D	5	12 x 30 (304 x 762)	2	2.80 (1.27)
PB2036D	10	20 x 36 (508 x 914)	2	4.20 (1.91)
PB2860D	25	28 x 60 (711 x 1524)	3	9.30 (4.22)
PB3372D	50	33 x 72 (838 x 1828)	3	11.70 (5.31)
PB44120D	100	44 x 120 (1117 x 3048)	4	24.20 (10.98)
PB51156D	200	51 x 156 (1295 x 3964)	4	34.40 (15.60)

NOTE: Custom sizes are available on a special order basis. Please consult factory.

Model Shown:
PTPHV859SPX



*Air supply is required when using a hydraulic pump

>Features

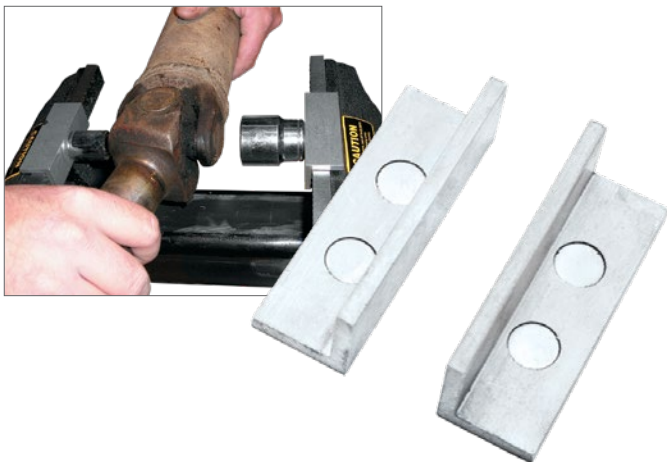
SIMPLIFY THE REMOVAL OF MANY INDUSTRIAL AND AUTOMOTIVE FANS AND BLOWER WHEELS BY PROVIDING A SOLID CONNECTION BETWEEN THE PULLER AND FAN HUB.

- Hands-free hydraulic bench vise with combination 10,000 PSI (690 Bar) foot pump, provides 5 TONS of clamping force
- Includes an air control valve for variable speed and safety
- Vise operates vertical or horizontal configurations for project flexibility
- Vise jaws open up to 8" (203 mm) for large holding requirements

> Includes

Components	Model Number
5-Ton Hydraulic Vise	PTPHV859
Hold-Ets Magnetic Vise Clips	PTHE3
10,000 PSI (690 Bar) Foot Pump	PA6
Gauge	9040
Gauge Adapter	9670
Hose 10'	9758
Female Coupler	9796
Male Coupler	9798

Model Shown:
PTHE3
Magnetic Vise Clips



>Features

- Magnetically hold sockets for assembling and disassembling universal joints
- Provides 3" (76 mm) of rigid aluminum construction and superior magnetic locking power to hold screws, rings, c-clips, and springs
- Makes any job a one-man operation with superior strength to hold 5.5 lbs (2.49 kg) vertically and 2.75 lbs (1.24 kg) pounds horizontally
- Can be used as a jaw liner for non-marking material and hold threaded objects rigid without damage to threads

▶ Puller Selection Reference Guide

Shaft Diameter Range in. (mm)	Minimum Bolt Diameter in. (mm)	Order No. 2 Jaw Option	Order No. 3 Jaw Option
0.01—0.62 (0.10—15.7)	0.31 (7.9)	PT202	PT102
0.63—0.74 (15.8—18.8)	0.37 (9.4)	PT203	PT103
0.75—1.00 (18.9—25.4)	0.50 (12.7)	PT204	PT104
1.01—1.24 (25.5—31.5)	0.62 (15.7)	PT206	PT106
1.25—1.50 (31.6—38.1)	0.75 (19.1)	PT208 or PT210	PT108 or PT110
1.51—2.24 (38.2—56.9)	1.12 (28.4)	PT213	PT113
2.25—2.50 (57.0—63.5)	1.25 (31.8)	---	PT116



Safety Cage® guides jaws for quick setup, providing a “vise-like” grip reducing slippage

Slim tapered jaws allow for easier gripping and better access to tight spots

Center bolt threads designed for less effort to apply high torque





Nut recessed to avoid mushrooming and dis-figuration from impact

Mechanical pullers use a center bolt to **provide force** on the shaft enabling jaws to extract object in a controlled manner

T-handle facilitates the opening, closing, locking and aligning of the jaws

Wide range of standard and long jaw reach arms to increase your versatility

Forged jaws provides superior durability

Model Shown:

PTP



Peg Board with Pullers
Order No. **PTPM4L**



Peg Board Only
Order No. **2008508**

Features

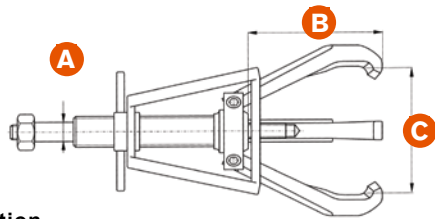
SHOWCASE YOUR PULLERS WITH A BRANDED, REINFORCED PEGBOARD DISPLAY IN YOUR SHOWROOM OR SHOP.

- 6 peg board promotional kits that offer many different variations
- Order the peg board separately for even greater flexibility
- Suitable for use behind a counter, parts desk or showroom

Ordering Information

Kit Components	Description	ORDER NUMBER					
		PTPM4	PTPM4L	PTPM4S	PTPM5	PTPM6	PTMPS16
PTP13/16	TIP PROTECTOR for PT113 / PT213 / PT116 / PT216	—	—	—	—	—	4
PTP10	TIP PROTECTOR PT108 / PT208 / PT110 / PT21	1	2	—	1	2	4
PTP6	TIP PROTECTOR for PT106 / PT206	2	2	2	2	2	2
PTP4	TIP PROTECTOR for PT104 / PT204	1	—	2	1	2	2
PT216	PULLER, MANUAL 2 JAW - 35 TON	—	—	—	—	—	1
PT213	PULLER, MANUAL 2 JAW - 25 TON	—	—	—	—	—	1
PT210	PULLER, MANUAL 2 JAW - 14 TON	—	1	—	—	1	1
PT208	PULLER, MANUAL 2 JAW - 12 TON	—	—	—	—	—	1
PT206	PULLER, MANUAL 2 JAW - 6 TON	1	1	1	1	1	1
PT204	PULLER, MANUAL 2 JAW - 2 TON	—	—	1	—	1	1
PT203	PULLER, MANUAL 2 JAW - 2 TON	—	—	—	—	—	1
PT202	PULLER, MANUAL 2 JAW - 1 TON	—	—	—	—	—	1
PT116	PULLER, MANUAL 3 JAW - 40 TON	—	—	—	—	—	1
PT113	PULLER, MANUAL 3 JAW - 30 TON	—	—	—	—	—	1
PT110	PULLER, MANUAL 3 JAW - 20 TON	1	1	—	1	1	1
PT108	PULLER, MANUAL 3 JAW - 17 TON	—	—	—	—	—	1
PT106	PULLER, MANUAL 3 JAW - 10 TON	1	1	1	1	1	1
PT104	PULLER, MANUAL 3 JAW - 5 TON	1	—	1	1	1	1
PT103	PULLER, MANUAL 3 JAW - 2 TON	—	—	—	1	—	1
PT102	PULLER, MANUAL 3 JAW - 1 TON	—	—	—	—	—	1
2008508	TOOL BOARD KIT, POSI LOCK TOOL SETS	1	1	1	1	2	2

Model Shown:
PT110, PT216



Features

PULLING BEARINGS IS A ONE-PERSON OPERATION WHEN USING THE PT SERIES MECHANICAL PULLERS. OPENING, CLOSING, LOCKING, AND ALIGNING OF THE JAWS IS ALL DONE AUTOMATICALLY BY SIMPLY TURNING THE T-HANDLE.

- 1 to 40-ton capacity puller with up to 14" (356 mm) reach and 25" (635 mm) spread for large pulling requirements
- Mechanical pullers use a rolled center bolt thread to reduce effort when applying high torque to extract objects in a controlled manner
- Recessed nut to avoid mushrooming and disfiguring
- Slim tapered heat-treated tips allow for better gripping and easier access in tight spots
- Safety Cage® guides jaws for fast set-up, solid contact and superior safety



Ordering Information

Order No.	Cap.	Jaws	Bolt Diameter	Reach	Spread	Weight	Order No.	Reach	Spread	Tip Protector	Bolt Extender	Transmission Jaws
	Short Tons	Qty.	A in. (mm)	B in. (mm)	C in. (mm)	lbs. (kg)		in. (mm)	in. (mm)	Order No.	Order No.	Order No.
PT202	1	2	0.31 (7.9)	2.25 (57)	3.25 (82.6)	0.62 (0.28)	—	—	—	—	—	—
PT203	2	2	0.37 (9.4)	3.00 (76.2)	4.50 (127)	1.12 (0.51)	—	—	—	—	—	—
PT204	2	2	0.5 (12.7)	4.00 (102)	5.00 (127)	3 (1.36)	—	—	—	PTP4	PTX4	10454T
PT206	6	2	0.62 (15.8)	6.00 (152)	7.00 (178)	7 (3.18)	—	—	—	PTP6	PTX6	10654T
PT208	12	2	0.75 (19)	8.00 (203)	12.00 (305)	12 (5.44)	PT11054 / PT11054L	9.8 (249) / 16.00 (406)	15.8 (401) / 22.00 (559)	PTP10	PTX10	11054T
PT210	14	2	0.75 (19)	9.67 (246)	15.00 (381)	13 (5.9)	PT11054L	16.00 (406)	22.00 (559)	PTP10	PTX10	11054T
PT213	25	2	1.12 (28.5)	12.00 (305)	18.00 (457)	38 (17.24)	PT11354L	20.00 (508)	30.00 (762)	PTP13/16	—	—
PT216	35	2	1.25 (32)	14.00 (356)	25.00 (635)	57 (25.85)	PT11654L	26.00 (660)	38.00 (965)	PTP13/16	—	—
PT102	1	3	0.31 (7.9)	2.25 (57)	3.25 (82.6)	0.68 (0.31)	—	—	—	—	—	—
PT103	2	3	0.37 (9.4)	3.00 (76.2)	4.50 (114.3)	1.3 (0.59)	—	—	—	—	—	—
PT104	5	3	0.5 (12.7)	4.00 (102)	5.00 (127)	4.1 (1.86)	—	—	—	PTP4	PTX4	10454T
PT106	10	3	0.62 (15.8)	6.00 (152)	7.00 (178)	8 (3.63)	—	—	—	PTP6	PTX6	10654T
PT108	17	3	0.75 (19)	8.00 (203)	12.00 (305)	14 (6.35)	PT11054 / PT11054L	9.8 (249) / 16.00 (406)	15.8 (401) / 22.00 (559)	PTP10	PTX10	11054T
PT110	20	3	0.75 (19)	9.67 (246)	15.00 (381)	16 (7.26)	PT11054L	16.00 (406)	22.00 (559)	PTP10	PTX10	11054T
PT113	30	3	1.12 (28.5)	12.00 (305)	18.00 (457)	44 (19.96)	PT11354L	20.00 (508)	30.00 (762)	PTP13/16	—	—
PT116	40	3	1.25 (32)	14.00 (356)	25.00 (635)	68 (30.84)	PT11654L	26.00 (660)	38.00 (965)	PTP13/16	—	—

* Long jaws must be ordered in the quantity required. For example, order two PT11054 for the PT208.

Model Shown:

PTTJ-1, PTTJ-2, PTTJ-3



Jaws that clamp in snap-ring grooves as narrow as .070" (1.8 mm)

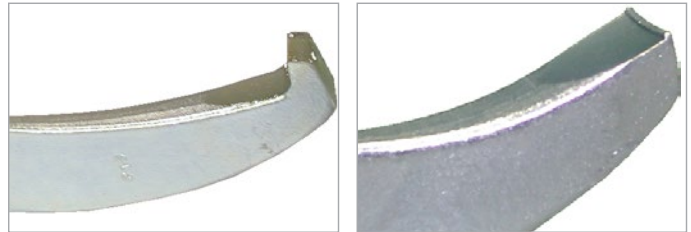


Features

REMOVAL OF BEARINGS, BUSHINGS, SLEEVES AND OTHER FRICTION-FITTED PARTS CAN EASILY BE ACCOMPLISHED WITH USING THE SERIES PTTJ AUTOMOTIVE TRANSMISSION PULLERS.

- Pullers with up to 9.25" (235 mm) reach and 14.75" (375 mm) spread for large pulling requirements
- Machined jaws that clamp in snap-ring grooves as narrow as .070" (1.8 mm).
- Specially designed for transfer cases on 4-wheel-drive vehicles, output shaft bearings and numerous other applications on any vehicle
- Slim tapered heat-treated tips allow for better gripping and easier access in tight spots

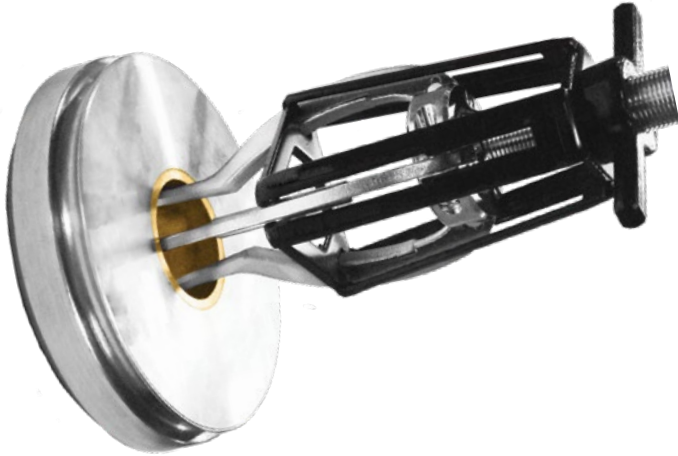
A standard jaw (left) is compared to a specially machined transmission jaw (right).



Ordering Information

Model	Number of Jaws	Reach in. (mm)	Spread in. (mm)	Weight lbs. (kg)	Tip Protector	Optional Accessories				
						Accessories		Optional Jaws		
						Description	Part #	Jaw Style	Reach in. (mm)	Spread in. (mm)
PTTJ-1	2	9.25 (235)	2.75 to 14.75 (70 to 375)	12 (5.4)	PTP10	Bolt Extender	PTX10	Jaw - 10854	8 (203)	.75 to 12 (19 to 305)
								Long Jaw - 11054	10 (254)	2.25 to 15 (57 to 381)
								Extra Long Jaw - 11054L	16 (406)	1.5 to 22 (38 to 559)
PTTJ-2	3	5.25 (133)	1 to 6.75 (25 to 171)	8 (3.6)	PTP6	Bolt Extender	PTX6	Jaw - 10654	6 (152)	.5 to 7 (13 to 178)
						Slide Rod Adaptor	PT10661			
						2.5 lb Slide Hammer	PT10562			
						5.0 lb Slide Hammer	PT10563			
PTTJ-3	3	4 (102)	.5 to 5.5 (13 to 140)	4.1 (1.9)	PTP4	TJ-3 Bolt Extender	PTX4	Jaw - 10454	4 (102)	.5 to 5 (13 to 127)
						Slide Rod	PT10561			
						2.5 lb Slide Hammer	PT10562			
						5.0 lb Slide Hammer	PT10563			

Model Shown:
PTPM16



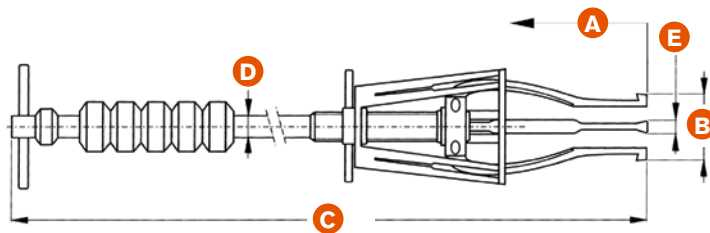
Features

DURABLE SLIDE HAMMER WITH TIGHT GRIPPING JAW DESIGN AND A SAFETY CAGE THAT GUIDES JAWS FOR FAST SET-UP, AND SOLID CONTACT FOR SUPERIOR SAFETY.

- Long internal jaws with slim tapered heat-treated tips allow for better gripping and easier access in tight spots
- High force 2.5 lb (1.13 kg) slide hammer for an effective use of force (optional ultra high force 5.0 lb (2.27 kg) slide hammer)
- Includes 3-Jaw puller (model no. PT105)
- Includes promotional tool board
- Safety Cage® guides jaws for fast set-up, solid contact and superior safety

Promotional Goods

Showcase your pullers with a branded, reinforced pegboard display in your showroom or shop.



Ordering Information

Kit Components	Description	Order No.
PT105	3-Jaw Internal Puller	PTPM16
PT10561	Slide Rod 24" (609 mm)	1
PT10562	2.5 lb. (1.13 kg) Slide Hammer	1
PT10554L	Long Jaw Set	1
2008508	Tool Board Kit, Posi Lock Tool Sets	1
PT10563	5 lb. (2.27 kg) Slide Hammer	Optional

Model	Number of Jaws	Jaw Style	Reach	Spread Range	Slide Hammer Weight	Dimensions				Optional Accessories
			A	B		C	D	E	Slide Hammer Weight	
			in. (mm)	in. (mm)						lbs. (kg)
PTPM16	3	Standard	2.78 (71)	.56-4 (14-102)	2.5 (1.1)	29 (737)	.52 (13)	.33 (8)	6.62 (168)	5 (2.3)
		Long	9 (229)	1-5.25(25-133)	2.5 (1.1)	31 (787)	.52 (13)	.33 (8)	8.62 (219)	5 (2.3)

Model Shown:
PTPMW-1
1 to 2 Ton Puller Set



Model Shown:
PTTK-107
4-in-1 Puller Set



Model Shown:
PTTB-1045
Internal/External
Slide Hammer Puller Set



Features

THESE PULLER SETS ARE ESSENTIAL IN REMOVING INTERNAL PILOT BEARINGS, BEARING CUPS, BUSHINGS, SEALS ALONG WITH EXTERNAL BEARINGS, BEARING RACES, PULLEYS, AND MANY OTHER PRESS-FIT ITEMS FROM ONE COMPACT SET.

Description	Qty	Number of Jaws	Capacity Tons (kN)	Reach in. (mm)
PT102 Puller	1	3	1 ton (9 kN)	2.25 (57)
PT202 Puller	1	2	1 ton (9 kN)	2.25 (57)
PT103 Puller	1	3	2 tons (18 kN)	3 (76.2)
PT203 Puller	1	2	2 tons (18 kN)	3 (76.2)
Case	1	12" x 17" x 5" (8 lbs.) 305 x 432 x 127 mm (3.6 kg)		
Optional				
PTPMW		Tool board set 16"x26" (406x660 mm)		

Description	Dimensions	Part #
Manual Puller	—	PT107
Tip Protector	—	PTP4
Internal Puller Jaws	—	PT10554
Slide Rod	—	PT10561
Slide Hammer	2.5 lb. (1.13 kg)	PT10562
Internal Puller Long Jaw (3)	—	PT10554L
Case	34" x 8.5" x 4.5" (15.8 lbs.) 864 x 216 x 114 mm (7.2 kg)	—
Optional Accessories		
Slide Hammer	5 lb. (2.27 kg)	PT10563
Small Hub Collar	0" to 1.5" (0 to 38 mm)	PTHP-30
Large Hub Collar	0" to 2" (0 to 51 mm)	PTHP-40
Extra Large Hub Collar	0" to 3" (0 to 76 mm)	PTHP-50
Tip Reducer/Extender	—	PTHP-70
Bolt Extender	—	PTX4
Transmission Jaw	—	PT10454T

Description	Dimensions	Part #
Manual Puller	—	PT107
Internal Puller	—	PT105
Tip Protector	—	PTP4
Slide Rod	—	PT10561
Slide Hammer	2.5 lb. (1.13 kg)	PT10562
Internal Puller Long Jaw (3)	—	PT10554L
Case	24" x 16.5" x 4.5" (18.3 lbs.) 610 x 419 x 114 mm (8.3 kg)	—
Optional Accessories		
Slide Hammer	5 lb. (2.27 kg)	PT10563
Small Hub Collar	0" to 1.5" (0 to 38 mm)	PTHP-30
Large Hub Collar	0" to 2" (0 to 51 mm)	PTHP-40
Extra Large Hub Collar	0" to 3" (0 to 76 mm)	PTHP-50
Tip Reducer/Extender	—	PTHP-70
Bolt Extender	—	PTX4
Transmission Jaw	—	PT10454T

Model Shown:
PTHP-1



Features

SIMPLIFY THE REMOVAL OF MANY INDUSTRIAL AND AUTOMOTIVE FANS AND BLOWER WHEELS BY PROVIDING A SOLID CONNECTION BETWEEN THE PULLER AND FAN HUB.

Includes

Description	Dimensions	Part #
Small Collar Adaptor	0" to 1.5" (0 to 38 mm)	PTHP-30
Large Collar Adaptor	0" to 2" (0 to 51 mm)	PTHP-40
Tip Reducer/Extender	—	PTHP-70
Square Head Set Screws (4)	—	PTHP-60
Optional Accessories		
Extra Large Hub Collar	0" to 3" (0 to 76 mm)	PTHP-50

Model Shown:
PTHP-2



Includes

Description	Dimensions	Part #
Manual Puller	—	PT104
Small Collar Adaptor	0" to 1.5" (0 to 38 mm)	PTHP-30
Large Collar Adaptor	0" to 2" (0 to 51 mm)	PTHP-40
Tip Reducer/Extender	—	PTHP-70
Square Head Set Screws (4)	—	PTHP-60
Case	13" x 9.5" x 5.5" (9 lbs.) 330 x 241 x 140 mm (4.1 kg)	—
Optional Accessories		
Extra Large Hub Collar	0" to 3" (0 to 76 mm)	PTHP-50

Model Shown:
PTFR-104K
Fan Removal Adaptor Kit
for Wind Turbines



Includes

Description	Part #
Manual Puller	PT104
Fan Removal Adaptor	PTFR104
Fan Puller Tip Reducer	PTX4F
Fan Removal Hub Screws (5)	PTFR-60
Case	—

Model Shown:

PTAT-1108, PTAT-1104

Stud Hole: 3/8" to 1-1/4 or 3/8" to 3/4"



Features

ALIGN ROTATING MACHINERY WITH PRECISION.

- Provides the ability to make precise horizontal adjustments within .001" (.025 mm)
- Portable sets allow aligning your motors, pumps, and gear boxes safe, quick, easy
- Eliminates the use of jack bolts, frames and heavy hammers for alignment

		ALIGNMENT TOOL RANGE			ECCENTRIC SOCKET SIZES				MOTOR APPLICATION RANGE		
		Model	Quantity	Tool Range	Socket	Quantity	Socket Size	Stud Hole	Power Range	AC Motor Frame	DC Motor Frame
PTAT-1108	PTAT-1104	PTATN-1	2	13/16" to 1-5/8"	PTES-1	2	9/16"	3/8"	2-30 HP	182-286TS	182A-288A
		PTATN-2	2	7/8" to 2"	PTES-2	2	3/4"	1/2"			
		PTATN-3	2	7/8" to 2-5/8"	PTES-3	2	15/16"	5/8"	20-300 HP	324T-449TS	323A-368A
	PTES-4				2	1-1/8"	3/4"				
	PTATN-4	2	1-1/2" to 4-1/2"	PTES-5	2	1-5/16"	7/8"	300+ HP	5040-505S	403A-448A	
				PTES-6	2	1-1/2"	1"				
	PTATN-5	2	1-7/8" to 6-1/8"	PTES-7	2	1-11/16"	1-1/8"	300+ HP	400M-8211S	503A-688A	
				PTES-8	2	1-7/8"	1-1/4"				

Model Shown:

PPTM-AT1108, PTM-AT1104

Stud Hole: 8mm to 30mm or 8mm to 12mm



Alignment Tool



Eccentric Socket

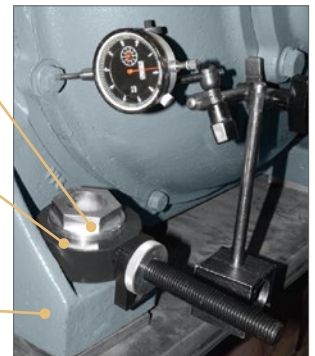


Top View Bottom View

Eccentric socket

Easy on easy off design

Precise, smooth, easy motor foot movement



*Kits do not include measurement devices

		ALIGNMENT TOOL RANGE			ECCENTRIC SOCKET SIZES				MOTOR APPLICATION RANGE		
		Model	Quantity	Tool Range	Socket	Quantity	Socket Size	Stud Hole	Power Range	AC Motor Frame	DC Motor Frame
PTM-AT1108	PTM-AT1104	PTATN-1	2	21 to 42 mm	PTM-ATES-1	2	13 mm	8 mm	1-22 kW	80-132	132-180
		PTATN-2	2	22 to 51 mm	PTM-ATES-2	2	17 mm	10 mm			
		PTATN-3	2	22 to 67 mm	PTM-ATES-3	2	19 mm	12 mm	14-224 kW	160-225	200-225
	PTM-ATES-4				2	24 mm	16 mm				
	PTATN-4	2	38 to 114 mm	PTM-ATES-5	2	30 mm	20 mm	224+ kW	250-355	250-355	
				PTM-ATES-6	2	36 mm	24 mm				
	PTATN-5	2	48 to 156 mm	PTM-ATES-7	2	46 mm	30 mm	224+ kW	400	400	

Model Shown:

PTUB200

Diameter: 5/16" to 1/2"



Features

VIRTUALLY ELIMINATE THE PROBLEM OF BOLT BINDING WITH MOTOR ALIGNMENT.

- Innovative precision undercut bolt and washer system helps reduce downtime and increase productivity
- Maximum clearance hardened grade-8 bolts along with through-hardened plated washers help to maintain perfect alignment

Includes

Order No.	Size (in.)	Quantity
Undercut Bolts (Diameter x Length)		
PTU5125	5/16 x 1-1/4	12
PTU5150	5/16 x 1-1/2	12
PTU6125	3/8 x 1-1/4	12
PTU6150	3/8 x 1-1/2	12
PTU8150	1/2 x 1-1/2	12
PTU8175	1/2 x 1-3/4	12
PTU8200	1/2 x 2	12
Hardened Washers (Diameter)		
PTUW5	5/16	24
PTUW6	3/8	24
PTUW8	1/2	36



Learn More - About Power Team Product



- Cylinders
- Pumps
- Tools
- Jacks
- Shop Equipment
- System Components

www.powerteam.com

Model Shown:

PTUB300

Diameter: 9/16" to 3/4"



Includes

Order No.	Size (in.)	Quantity
Undercut Bolts (Diameter x Length)		
PTU9150	9/16 x 1-1/2	12
PTU9200	9/16 x 2	12
PTU9250	9/16 x 2-1/2	12
PTU1020	5/8 x 2	12
PTU1022	5/8 x 2-1/4	12
PTU1025	5/8 x 2-1/2	12
PTU1220	3/4 x 2	12
PTU1222	3/4 x 2-1/4	12
PTU1225	3/4 x 2-1/2	12
Hardened Washers (Diameter)		
PTUW9	9/16	36
PTUW10	5/8	36
PTUW12	3/4	36

Mechanical Puller Parts & Accessories

Components	PT102/PT202	PT103/PT203	PT104/PT204	PT106/PT206	PT108/PT208	PT110/PT210	PT113/PT213	PT116/PT216
Cage® - 3 Jaw	PT10253	PT10353	PT10453	PT10653	PT10853	PT11053	PT11353	PT11653
Cage® - 2 Jaw	PT20253	PT20353	PT20453	PT20653	PT20853	PT21053	PT21353	PT21653
Jaw	PT10254	PT10354	PT10454	PT10654	PT10854	PT11054	PT11354	PT11654
Jaw Head Assembly - 3 Jaw	PT10255	PT10355	PT10455	PT10655	PT10855	PT11055	PT11355	PT11655
Jaw Head Assembly - 2 Jaw	PT20255	PT20355	PT20455	PT20655	PT20855	PT21055	PT21355	PT21655
Pin	PT10256	PT10356	PT10456	PT10656	PT11056	PT11056	PT11356	PT11356
T-Handle	PT10257	PT10357	PT10457	PT10657	PT11057	PT11057	PT11357	PT11657
Center Bolt	PT10258	PT10358	PT10458	PT10658	PT10858	PT11058	PT11358	PT11658
Snap Ring	PT10259	PT10359	PT10459	PT10659	PT11059	PT11059	PT11359	PT11659
Optional Accessories	PT102/PT202	PT103/PT203	PT104/PT204	PT106/PT206	PT108/PT208	PT110/PT210	PT113/PT213	PT116/PT216
Long Jaw	—	—	—	—	PT11054	PT11054L	PT11354L	PT11654L
Extra Long Jaw	—	—	—	—	PT11054L	—	—	—
Transmission Jaw	—	—	PT10454T	PT10654T	PT11054T	PT11054T	—	—
Tip Protector	—	—	PTP4	PTP6	PTP10	PTP10	PTP13/16	PTP13/16
Bolt Extender	—	—	PTX4	PTX6	PTX10	PTX10	—	—
Slide Rod	—	—	PT10561	PT10561	—	—	—	—
Slide Rod Adapter	—	—	—	PT10661	—	—	—	—
2.5 lb. (1.13 kg) Slide Hammer	—	—	PT10562	PT10562	—	—	—	—
5.0 lb. (2.27 kg) Slide Hammer	—	—	PT10563	PT10563	—	—	—	—
Tip Reducer/Extender	—	—	PTHP-70	—	—	—	—	—

PTTJ-1, PTTJ-2 & PTTJ-3 Parts

Components	PTTJ-1	PTTJ-2	PTTJ-3
Cage® - 3 Jaw	—	PT10653	PT10453
Cage® - 2 Jaw	PT20853	—	—
Jaw	PT11054T	PT10654T	PT10454T
Jaw Head Assembly - 3 Jaw	—	PT10655	PT10455
Jaw Head Assembly - 2 Jaw	PT21055	—	—
Pin	PT11056	PT10656	PT10456
T-Handle	PT11057	PT10657	PT10457
Center Bolt	PT10858	PT10658	PT10458
Snap Ring	PT11059	PT10659	PT10459
Optional Accessories			
Jaw	PT10854	PT10654	PT10454
Long Jaw	PT11054	—	—
Extra Long Jaw	PT11054L	—	—
Bolt Extender	PTX10	PTX6	PTX4
Slide Rod	—	PT10561	PT10561
Slide Rod Adapter	—	PT10661	—
2.5 lb. (1.13 kg) Slide Hammer	—	PT10562	PT10562
5.0 lb. (2.27 kg) Slide Hammer	—	PT10563	PT10563

PTHP-1 & PTHP-2 Parts

Components	PTHP-1	PTHP-2
Cage® - 3 Jaw	—	PT10453
Jaw	—	PT10454
Jaw Head Assembly - 3 Jaw	—	PT10455
Pin	—	PT10456
T-Handle	—	PT10457
Center Bolt	—	PT10458
Snap Ring	—	PT10459
Small Collar Adapter	PTHP-30	PTHP-30
Large Collar Adapter	PTHP-40	PTHP-40
Square Head Set Screws	PTHP-60	PTHP-60
Tip Reducer/Extender	PTHP-70	PTHP-70
Optional Accessory		
Extra Large Hub Collar	PTHP-50	PTHP-50





Manual Internal Puller Parts

Components	PT105	PT107
Cage® - 3 Jaw	PT10553	PT10753
Jaw	PT10554	PT10454
Jaw Head Assembly - 3 Jaw	PT10455	PT10755
Pin	PT10456	PT10456
T-Handle	PT10457	PT10457
Snap Ring	PT10459	PT10459
Optional Accessories		
Internal Puller Jaw	—	PT10554
Long Internal Puller Jaw	PT10554L	PT10554L
Tip Protector	—	PTP4
Bolt Extender	—	PTX4
Slide Rod	PT10561	PT10561
2.5 lb. (1.13 kg) Slide Hammer	PT10562	PT10562
5.0 lb. (2.27 kg) Slide Hammer	PT10563	PT10563

PTFR-104K Parts

Components	PTFR-104K
Cage® - 3 Jaw	PT10453
Jaw	PT10454
Jaw Head Assembly - 3 Jaw	PT10455
Pin	PT10456
T-Handle	PT10457
Center Bolt	PT10458
Snap Ring	PT10459
Fan Removal Adaptor	PTFR-104
Fan Puller Tip Reducer	PTX4F
Fan Removal Hub Screws	PTFR60

Ram Point Sets

Fits Model Number	PTPH-106/206	PTPH-108/208	PTPH-110/210	PTPH-113/213	PTPH-116
					
Set Number	PTPH-5-3	PTPH-15-5		PTPH-25-7	PTPH-50-8
Set Includes	Dia. x Length in. (mm)	Dia. x Length in. (mm)		Dia. x Length in. (mm)	Dia. x Length in. (mm)
Flat Ram Point	-	1 x 1 (25 x 25)		1.5 x 2.25 (38 x 57)	2 x 3 (51 x 76)
	1 x 3 (25 x 76)	1 x 3 (25 x 76)		2 x 2.25 (51 x 57)	2.75 x 3 (70 x 76)
Tapered Ram Point	-	-		2 x 4 (51 x 102)	2.75 x 5 (70 x 127)
	-	1 x 1.5 (25 x 38)		1.5 x 2.5 (38 x 64)	2.75 x 3.75 (70 x 95)
	1 x 3.5 (25 x 89)	1 x 3.5 (25 x 89)		2 x 2.25 (51 x 64)	2 x 3.75 (51 x 95)
Ram Point Adaptor	-	-		2 x 4.5 (51 x 114)	2.75 x 5.5 (70 x 140)
	-	-		-	2.75 x 2.25 (70 x 57)

Hydraulic Components & Pumps

PTPHD, PTPHC, PTPHB Set Parts List	PTPH-106/206	PTPH-108/208	PTPH-110/210	PTPH-113/213	PTPH-116
Ton Cylinder	C55C	C106C	C1510C	C2514C	C5513C
Gauge Adapter	9670	9670	9670	9670	9670
10,000 PSI Gauge (690 Bar)	9040	9040	9040	9040	9040
Female/Male Coupler	9796/9798	9796/9798	9796/9798	9796/9798	9796/9798
Hose	9754	9754	9754	9754	9754
Pumps					
PTPHC 2 Stage Hand Pump	P19L	P19L	P59L	P159	P460
PTPHD 2 Stage Electric Pump	PE172	PE172	PE172	PE172	PE172

Ordering Information

Components	PTPH-106/206	PTPH-108/208	PTPH-110/210	PTPH-113/213	PTPH-116	PTPHS-108/208
Cage® - 3 Jaw	PTPH-10653	PTPH-10853	PTPH-11053	PTPH-11353	PTPH-11653	PTPH-10853
Cage® - 2 Jaw	PTPH-20653	PTPH-20853	PTPH-21053	PTPH-21353	PTPH-21653	PTPH-20853
Jaw	PT10654	PT10854	PTPH-11054	PT11354	PTPH-11654/PTPH-21654	PT10854
Jaw Head Assembly - 3 Jaw	PTPH-10655	PTPH-10855	PTPH-11055	PTPH-11355	PTPH-11655	PTPH-10855
Jaw Head Assembly - 2 Jaw	PTPH-20655	PTPH-20855	PTPH-21055	PTPH-21355	PTPH-21655	PTPH-20855
Pin	PT11056	PTPH-10856	PTPH-11056	PT11356	PTPH-11656/PTPH-21656	PTPH-10856
T-Handle	PTPH-10657	PTPH-10857	PTPH-11057	PTPH-11357	PTPH-11657	PTPH-10857
Snap Ring	PT11659	PTPH-10859	PTPH-11059	PTPH-11359	PTPH-11659	PTPH-10859
Interchangeable Ram Point Sets	PTPH-5-3	PTPH-15-5	PTPH-15-5	PTPH-25-7	PTPH-50-8	—
Guard Lift Plate	PTPH-10652	PTPH-11052	PTPH-11052	PTPH-11352	PTPH-11652	—
Extension Rod 1.9" (48 mm)	—	—	—	—	—	PTE1414
Extension Rod 2.9" (74 mm)	—	—	—	—	—	PTE1165
Self-Contained Cylinder and Hand Pump	—	—	—	—	—	PTPLP-1200
Optional Accessories						
Long Jaw	—	PT11054	PTPH-11054L	PT11354L	PTPH-11654L/PTPH-21654L	PT11054
Extra Long Jaw	—	PT11054L	—	—	—	PT11054L
Storage Transport Cart	—	—	—	PTPT-2550	PTPT-2550	—

GLOBAL CUSTOMER SERVICE CENTERS

North America Headquarters

5885 11th Street
Rockford, IL 61109
USA

Customer Service/Order Entry

Tel: +1 800 541 1418
Fax: +1 800 288 7031

Send P.O.'s to: info@powerteam.com

Technical Services

Tel: +1 800 477 8326
Fax: +1 800 765 8326

European Headquarters

Albert Thijsstraat 12
6471 WX Eyselshoven
The Netherlands
Tel: +31 45 567 8877

infoeurope@powerteam.com

SEA Headquarters

20 Pioneer Crescent #06-01
West Park BizCentral
Singapore 628555
Tel: +65 6264 4366
Fax: +65 6265 9133

infoasia@powerteam.com

India Headquarters

SPX Flow Technology (India) Pvt. Limited
Survey No. 275
Odhav, Ahmedabad - 382 415
Tel: +91-99099-85454
+91-97277-19950

india@powerteam.com



China Headquarters

7F Treasury Building
1568 Huashan Road
Shanghai, 200052 China
Tel: +86 21 2208 5888
Fax: +86 21 2208 5682

infochina@powerteam.com

Australia Headquarters

SPX Flow Technology Australia Pty Ltd
Quad 2, 6 Parkview Drive
Homebush Bay NSW 2127
Tel: +61 02 9763 4900
Fax: +61 02 97 63 7888

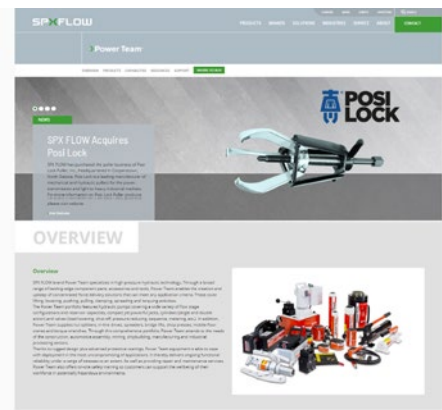
Ft.aus.cs@spxflow.com

SPX FLOW, Inc. reserves the right to incorporate our latest design and material changes without notice or obligation.

Design features, materials of construction and dimensional data, as described in this bulletin, are provided for your information only and should not be relied upon unless confirmed in writing. Please contact your local sales representative for product availability in your region. For more information visit www.spxflow.com.

The green "P" and "X" are trademarks of SPX FLOW, Inc.

Visit us at powerteam.com to learn more.



Posi Lock® and Safety Cage® are registered trademarks of Posi Lock Puller, Inc.

Distributed by:

SPXFLOW